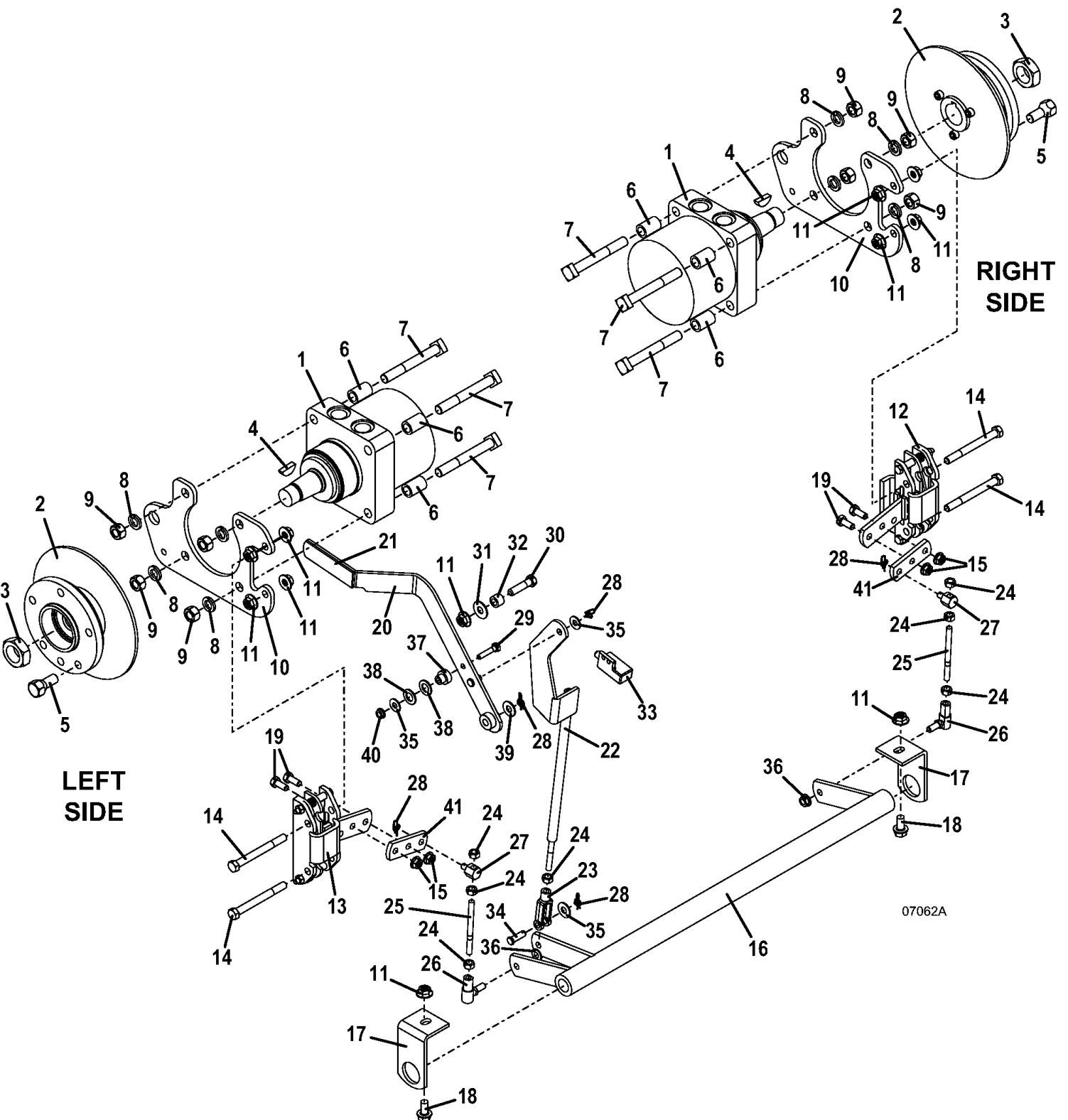


Title: QUIK PARTS
Heading: FRONT MOUNTS
Model: 725DT6
Year: 2010.5
Assembly: BRAKE ASSEMBLY



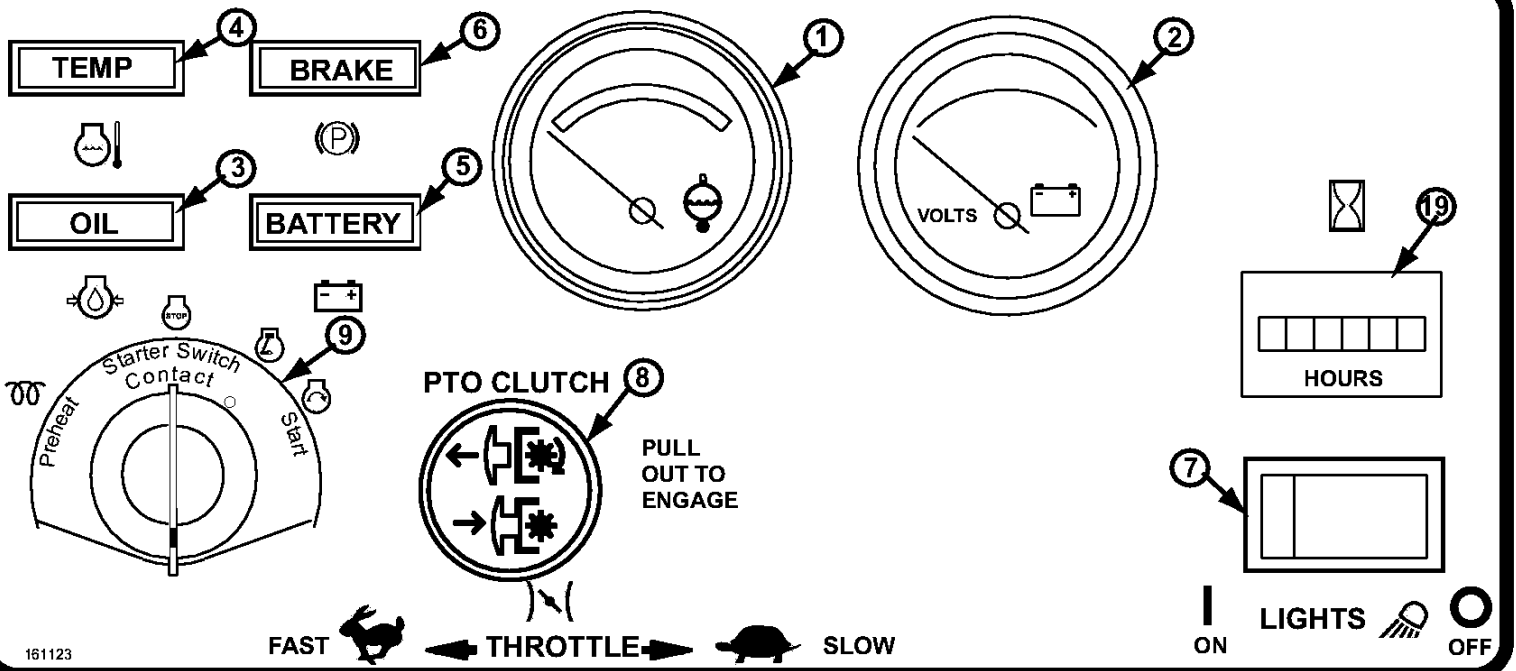
Title: QUIK PARTS
Heading: FRONT MOUNTS
Model: 725DT6
Year: 2010.5
Assembly: BRAKE ASSEMBLY

PARTS LIST

| | | |
|----|--------|------------------------------|
| 1 | 603614 | WHEEL MOTOR W/HUB - T6 |
| 2 | 604442 | HUB & ROTOR ASSEMBLY |
| 2 | 259592 | SCREW - SOCKET HEAD |
| 2 | 775192 | BRAKE ROTOR - 8.0 |
| 3 | 254522 | NUT |
| 4 | 281860 | KEY WOODRUFF |
| 5 | 248565 | LUG BOLT |
| 6 | 902299 | SPACER - WHEEL MOTOR |
| 7 | 243622 | SQ HD BOLT |
| 8 | 257432 | WASHER - LOCK |
| 9 | 254470 | NUT |
| 10 | 776122 | MOUNT - BRAKE & TRACTION KIT |
| 11 | 253043 | NUT - WHIZ |
| 12 | 481140 | BRAKE ASSY - CW 700,900,M1 |
| 12 | 481160 | BRAKE PAD KIT |
| 13 | 481141 | BRAKE ASSY - CCW 700,900,M1 |
| 13 | 481160 | BRAKE PAD KIT |
| 14 | 243381 | HEX .375-16 X 3.75 |
| 15 | 253035 | NUT - WHIZ |
| 16 | 644539 | LINKAGE ROD |
| 17 | 732617 | MOUNT - BRAKE PIVOT |
| 18 | 253200 | BOLT WHIZ |
| 19 | 243195 | HEX BOLT |
| 20 | 644035 | BRAKE LEVER - 700/900 |
| 21 | 422150 | GRIP - HANDLE |
| 22 | 644036 | ARM - BRAKE LINKAGE |
| 23 | 265537 | YOKE CLEVIS |
| 24 | 254441 | NUT |
| 25 | 780158 | LINKAGE ROD - BRAKE |
| 26 | 265615 | BALL JOINT RH TD |
| 27 | 880926 | LINKAGE PIN - BRAKE .312 |
| 28 | 260606 | RING COTTER |
| 29 | 243030 | HEX BOLT |
| 30 | 243340 | HEX BOLT |
| 31 | 257040 | WASHER |
| 32 | 902280 | SPACER |
| 33 | 183894 | SWITCH - BRAKE INTERLOCK |
| 34 | 261284 | CLEVIS PIN |
| 35 | 257020 | WASHER |
| 36 | 253038 | NUT - WHIZ |

| | | |
|-----------|---------------|-----------------------------------|
| 37 | 881130 | SPACER - BRAKE LEVER |
| 38 | 257063 | WASHER |
| 39 | 257030 | WASHER |
| 40 | 253025 | NUT - WHIZ |
| 41 | 782851 | STRAP - BRAKE - 700 SERIES |

Title: QUIK PARTS
Heading: FRONT MOUNTS
Model: 725DT6
Year: 2010.5
Assembly: CONSOLE

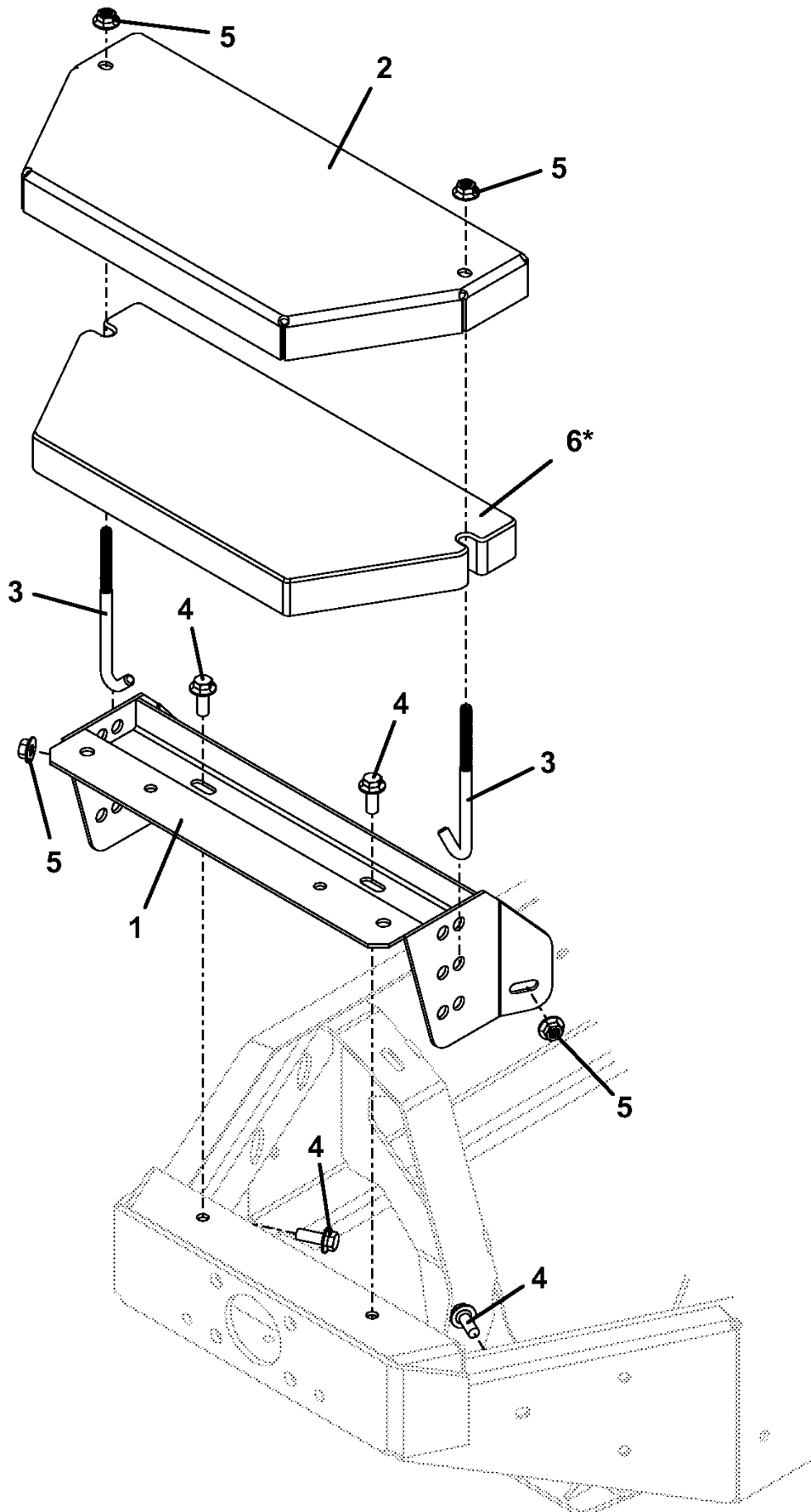


Title: QUIK PARTS
Heading: FRONT MOUNTS
Model: 725DT6
Year: 2010.5
Assembly: CONSOLE

PARTS LIST

| | | |
|----|--------|-----------------------------|
| 1 | 141160 | GAUGE - TEMP ZONED ELECTRIC |
| 2 | 141200 | GAUGE - VOLTMETER |
| 3 | 182327 | LIGHT INDICATOR - OIL |
| 4 | 182328 | LIGHT INDICATOR - TEMP |
| 5 | 182325 | LIGHT INDICATOR - BATTERY |
| 6 | 182326 | LIGHT INDICATOR - BRAKE |
| 7 | 184179 | SWITCH - ROCKER |
| 8 | 183925 | SWITCH - PUSH/PULL |
| 9 | 183827 | SWITCH - KEY-SEALED-KUBOTA |
| 19 | 141551 | HOUR METER - SNAP IN |
| 20 | 161123 | DECAL - CONSOLE |

Title: QUIK PARTS
Heading: FRONT MOUNTS
Model: 725DT6
Year: 2010.5
Assembly: COUNTERWEIGHT MOUNT KIT

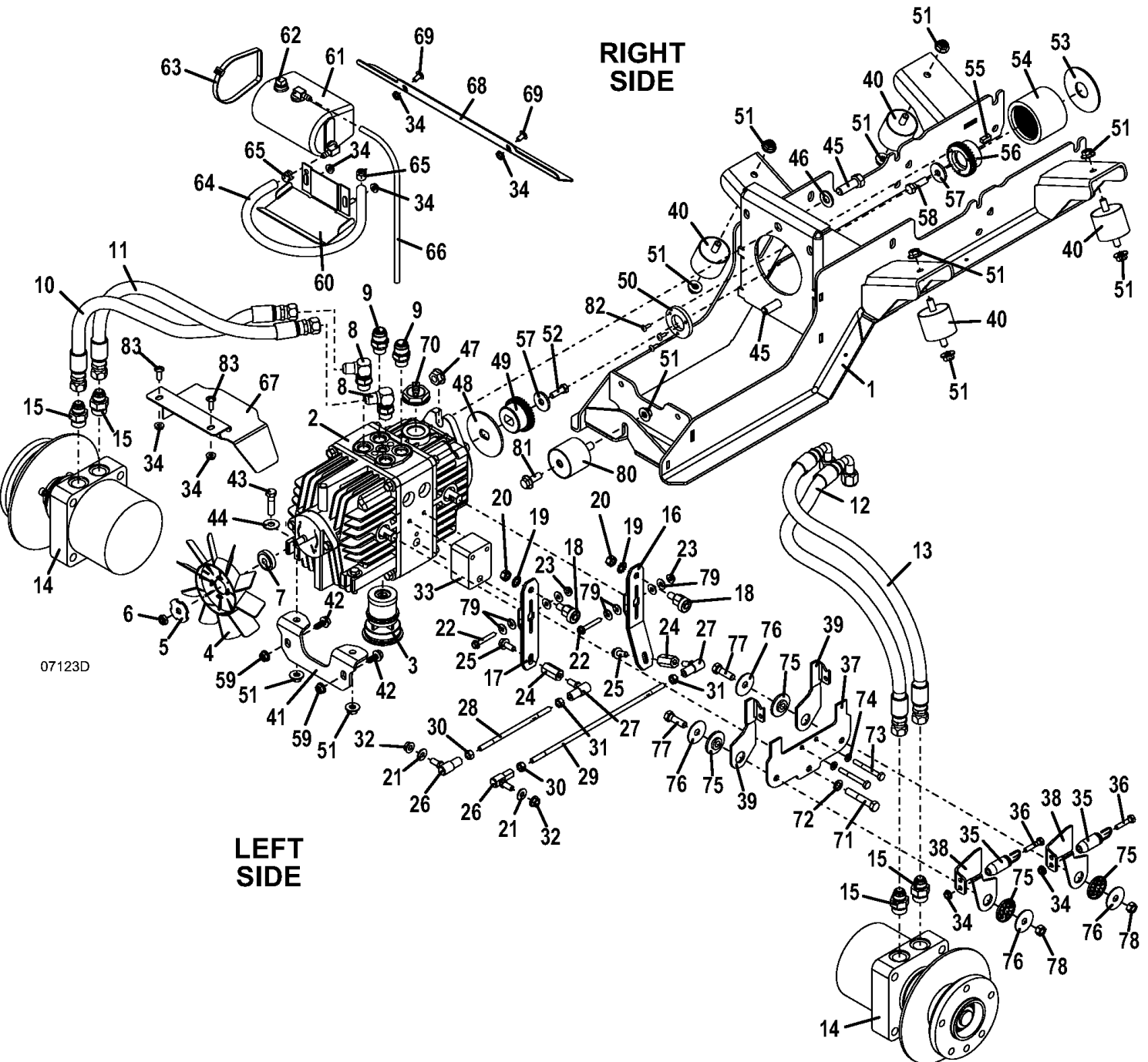


Title: QUIK PARTS
Heading: FRONT MOUNTS
Model: 725DT6
Year: 2010.5
Assembly: COUNTERWEIGHT MOUNT KIT

PARTS LIST

| | | |
|----------|---------------|----------------------------------|
| 1 | 644915 | WEIGHT MOUNT - 700/900 |
| 2 | 729691 | WEIGHT COVER - 50 LB |
| 3 | 240151 | HOOK BOLT |
| 4 | 253203 | BOLT WHIZ FLANGE |
| 5 | 253043 | NUT - WHIZ |
| 6 | 503218 | COUNTERWEIGHT - 50 LB |
| 7 | 503220 | MOUNT KIT - COUNTERWEIGHT |

Title: QUIK PARTS
Heading: FRONT MOUNTS
Model: 725DT6
Year: 2010.5
Assembly: DRIVE ASSEMBLY



07123D

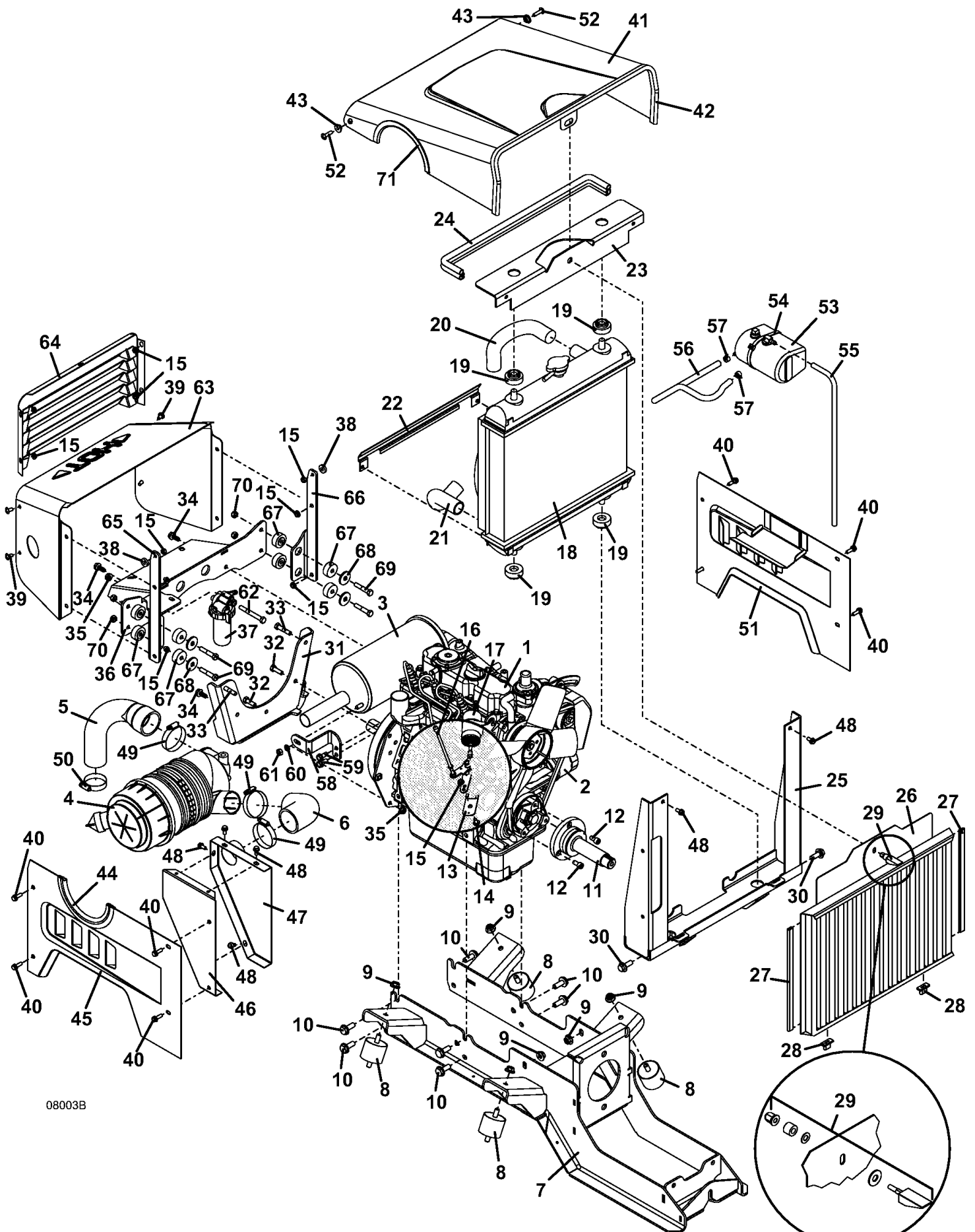
Title: QUIK PARTS
Heading: FRONT MOUNTS
Model: 725DT6
Year: 2010.5
Assembly: DRIVE ASSEMBLY

PARTS LIST

| | | |
|----|--------|--------------------------------|
| 1 | 644879 | MOUNT - DRIVETRAIN |
| 2 | 391470 | HYDRO - PARKER TANDEM 16CC |
| 3 | 130505 | FILTER - TANDEM TRANSMISSION |
| 4 | 130434 | FAN 8.3 - T6 |
| 5 | 130432 | WASHER - FAN RETAINER |
| 6 | 253461 | NUT - INSERT-NYLON |
| 7 | 130433 | FAN HUB |
| 8 | 360061 | ADAPTER O-RING |
| 9 | 360064 | ADAPTER FITTING |
| 10 | 424383 | HOSE ASSY |
| 11 | 424384 | HOSE ASSY |
| 12 | 424385 | HOSE ASSY |
| 13 | 424386 | HOSE ASSY |
| 14 | 603614 | WHEEL MOTOR W/HUB - T6 |
| 15 | 360063 | ADAPTER O-RING |
| 16 | 644034 | ARM - RETURN - TANDEM BENT W/A |
| 17 | 644862 | ARM - NEUT RETURN - TANDEM W/A |
| 18 | 603729 | ROLLER ASSY - ECCENTRIC 600T |
| 19 | 257410 | WASHER - STAR EXTERNAL |
| 20 | 254450 | NUT |
| 21 | 257019 | WASHER - FLAT |
| 22 | 270832 | HEX BOLT |
| 23 | 274114 | NUT - WHIZ - 6MM X 1.0 YZP |
| 24 | 783730 | SPACER - NEUTRAL RETURN |
| 25 | 253186 | BOLT WHIZ - HEX |
| 26 | 265615 | BALL JOINT RH TD |
| 27 | 265616 | BALL JOINT LH TD |
| 28 | 780152 | ROD - STEERING LT/RT |
| 29 | 780173 | ROD - STEERING LT/RT |
| 30 | 254441 | NUT |
| 31 | 254444 | NUT |
| 32 | 253038 | NUT - WHIZ |
| 33 | 422039 | SPACER - RTN - PLASTIC |
| 34 | 253025 | NUT - WHIZ |
| 35 | 283823 | SPRING - EXTENSION |
| 36 | 243030 | HEX BOLT |
| 37 | 729542 | MOUNT - RETURN |
| 38 | 729639 | ARM - RETURN |
| 39 | 729398 | ARM - NEUTRAL RETURN |
| 40 | 424073 | VIBRATION ISOLATOR |

| | | |
|----|--------|--------------------------------|
| 41 | 725563 | FRONT PUMP MOUNT |
| 42 | 253192 | BOLT WHIZ HEX FLANGE |
| 43 | 243340 | HEX BOLT |
| 44 | 257040 | WASHER |
| 45 | 243570 | HEX BOLT |
| 46 | 257062 | WASHER |
| 47 | 253066 | NUT - WHIZ |
| 48 | 774175 | WASHER - DD |
| 49 | 388577 | COUPLER HUB |
| 50 | 424151 | STABILIZER - COUPLING W/ HOLES |
| 51 | 253043 | NUT - WHIZ |
| 52 | 243206 | HEX BOLT |
| 53 | 774176 | WASHER - 3 INCH OD |
| 54 | 388560 | COUPLER SLEEVE - NYLON |
| 55 | 281580 | KEY SQUARE |
| 56 | 831034 | FLEX COUPLER - W/HOLES |
| 57 | 774020 | WASHER |
| 58 | 243337 | HEX BOLT GR 8 |
| 59 | 253035 | NUT - WHIZ |
| 60 | 644094 | BRACKET - OIL RESERVOIR W/A |
| 61 | 422033 | TANK - EXPANSION - HYD |
| 62 | 365516 | PLUG - PLASTIC |
| 63 | 423154 | TIE |
| 64 | 821730 | HOSE - FUEL |
| 65 | 280261 | CLAMP - HOSE-SPRING |
| 66 | 821723 | HOSE - VENT CLEAR |
| 67 | 722984 | SHROUD - FAN |
| 68 | 722983 | SHIELD - COUPLER |
| 69 | 253176 | BOLT WHIZ TRUSS |
| 70 | 130510 | ADAPTER - EXPANSION TANK T2 |
| 71 | 243350 | HEX BOLT |
| 72 | 257412 | WASHER - LOCK |
| 73 | 243045 | HEX BOLT |
| 74 | 257392 | WASHER - LOCK |
| 75 | 822304 | PIVOT BEARING - NEUTRAL RETURN |
| 76 | 257044 | WASHER - FENDER |
| 77 | 243335 | HEX BOLT |
| 78 | 253890 | NUT - LOCK |
| 79 | 257025 | WASHER |
| 80 | 424071 | VIBRATION ISOLATOR |
| 81 | 253200 | BOLT WHIZ |
| 82 | 250164 | MACHINE SCREW TRUSS |
| 83 | 253179 | BOLT WHIZ PHIL TRUSS |

Title: QUIK PARTS
Heading: FRONT MOUNTS
Model: 725DT6
Year: 2010.5
Assembly: ENGINE ASSEMBLY



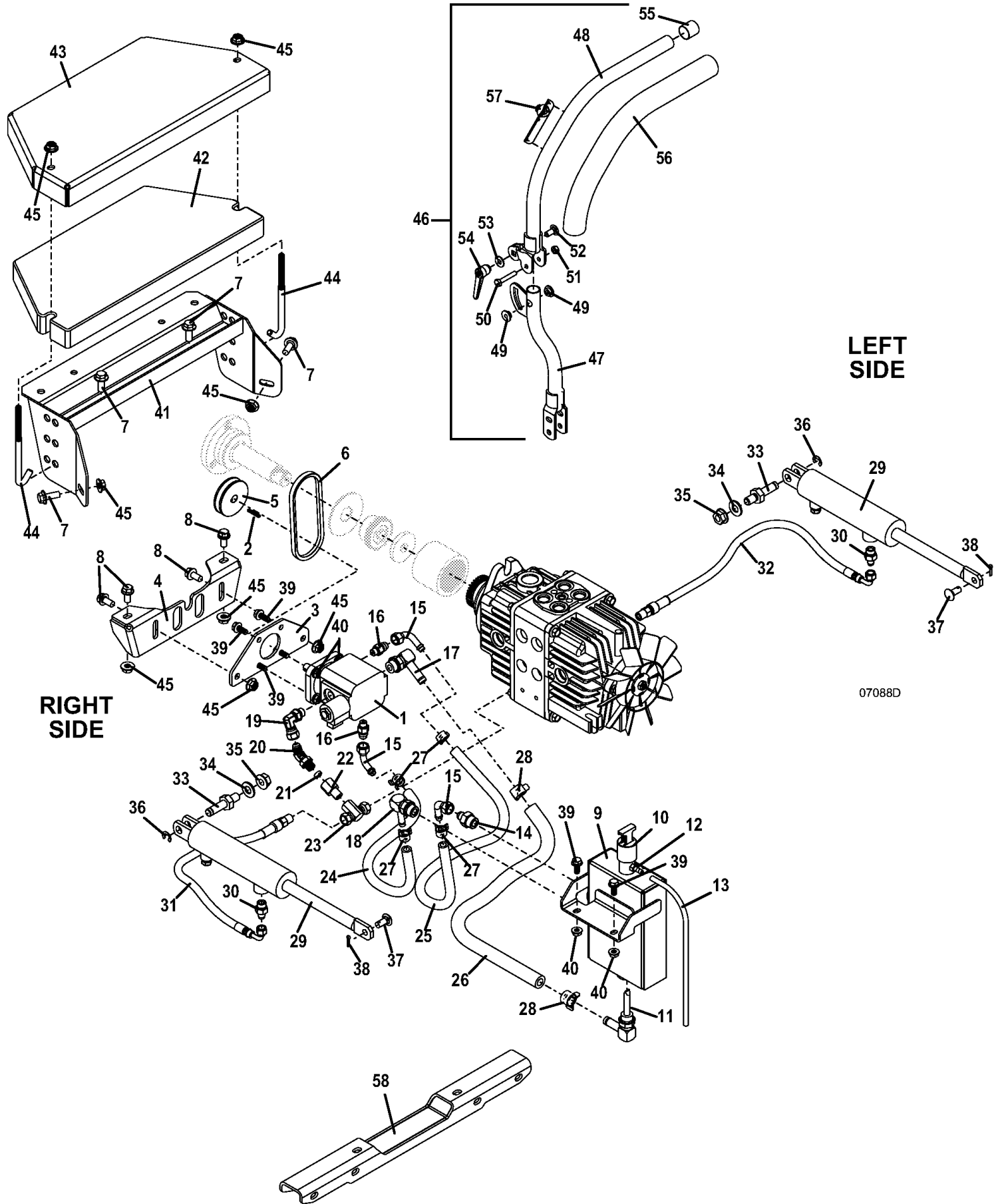
Title: QUIK PARTS
Heading: FRONT MOUNTS
Model: 725DT6
Year: 2010.5
Assembly: ENGINE ASSEMBLY

PARTS LIST

| | | |
|----|--------|--------------------------------|
| 1 | 100179 | ENGINE KUBOTA DIESEL |
| 2 | 100800 | FILTER - OIL KUBOTA |
| 3 | 101235 | MUFFLER - KUBOTA |
| 3 | 101040 | GASKET - EXHAUST FLANGE KUBOTA |
| 4 | 100207 | AIR CLEANER - NELSON 90 DEG |
| 4 | 100197 | CLIP - COVER AIR CLEANER |
| 4 | 100199 | COVER - AIR CLEANER |
| 4 | 100202 | DUST EJECTOR |
| 4 | 100203 | RAIN CAP - KOHLER |
| 4 | 100936 | FILTER - AIR OUTER-HD |
| 4 | 100937 | FILTER - AIR INNER-HD |
| 5 | 424526 | HOSE - BREATHER/MANIFOLD |
| 6 | 424520 | HOSE - BREATHER INLET |
| 7 | 644879 | MOUNT - DRIVETRAIN |
| 8 | 424073 | VIBRATION ISOLATOR |
| 9 | 253043 | NUT - WHIZ |
| 10 | 271121 | BOLT HEX |
| 11 | 824412 | SHAFT - FRONT-KUBOTA MACHINED |
| 12 | 270075 | SCREW - SOCKET HEAD M8 |
| 13 | 723063 | LINKAGE - EXTENSION 928 |
| 14 | 253176 | BOLT WHIZ TRUSS |
| 15 | 253025 | NUT - WHIZ |
| 16 | 246880 | MANUAL STOP LEVER EXTENSION |
| 16 | 422092 | CAP - VINYL RED |
| 17 | 101046 | SOLENOID - FUEL VALVE |
| 18 | 101612 | RADIATOR - KUBOTA |
| 19 | 101080 | BUSHING - ISOLATOR-RADIATOR MT |
| 20 | 101058 | HOSE - RADIATOR UPPER |
| 21 | 101059 | HOSE - RADIATOR LOWER |
| 22 | 721006 | SHIELD - FAN |
| 23 | 729327 | CLAMP CHANNEL - RADIATOR |
| 24 | 822518 | BULB SEAL - HOOD |
| 25 | 644655 | MOUNT - RADIATOR - LOWER 700DT |
| 26 | 644668 | GRILLE - W/GUARD 902D |
| 27 | 822636 | TRIM - RADIATOR GRILLE |
| 28 | 422090 | ISOLATOR - REAR BELT SHIELD |
| 29 | 604805 | SWELL LATCH ASSY |
| 30 | 253203 | BOLT WHIZ FLANGE |
| 31 | 645566 | PTO/IDLER MOUNT |
| 32 | 271023 | HEX HD |

| | | |
|----|--------|--------------------------------|
| 33 | 271055 | BOLT - HEX HD M8 |
| 34 | 253192 | BOLT WHIZ HEX FLANGE |
| 35 | 253035 | NUT - WHIZ |
| 36 | 644851 | SUPPORT - REAR HOOD 700DT |
| 37 | 101000 | FILTER - FUEL KUBOTA |
| 38 | 901324 | SPACER - HOOD HINGE |
| 39 | 253180 | BOLT .25-20 X.5 PHIL TRUSS HD |
| 40 | 253175 | BOLT WHIZ HEX |
| 41 | 644438 | HOOD W/A - ENGINE 725D/932 |
| 42 | 822639 | HOOD TRIM - FRONT |
| 43 | 422508 | STEP BUSHING |
| 44 | 822513 | TRIM SEAL-AIR CLEANER |
| 45 | 722920 | HOOD SIDE - 725DT6 RT |
| 46 | 644066 | BOX MOUNT - AIR INTAKE |
| 47 | 644059 | BOX - AIR INTAKE |
| 48 | 253173 | BOLT WHIZ HEX |
| 49 | 280305 | CLAMP - HOSE-SCREW TYPE |
| 50 | 280303 | CLAMP - HOSE-SCREW TYPE |
| 51 | 645311 | HOOD SIDE - 725DT6 LEFT |
| 52 | 253181 | BOLT .25-20X1.0 PHIL TRUSS HD |
| 53 | 422012 | TANK - EXPANSION |
| 54 | 423154 | TIE |
| 55 | 821748 | HOSE - VENT CLEAR |
| 56 | 821749 | HOSE |
| 57 | 280260 | CLAMP - HOSE-SPRING |
| 58 | 732604 | SUPPORT STRAP - MUFFLER |
| 59 | 271021 | HEX BOLT FL W/SER |
| 60 | 257402 | WASHER - LOCK |
| 61 | 274145 | HEX NUT |
| 62 | 243240 | HEX BOLT |
| 63 | 722919 | BOX PANEL - REAR HOOD |
| 64 | 645270 | GRILL - HOOD REAR |
| 65 | 725576 | UPRIGHT - HOOD SUPPORT 700T RT |
| 66 | 725577 | UPRIGHT - HOOD SUPPORT 700T LT |
| 67 | 424005 | STEP BUSHING - RUBBER 45 DURO |
| 68 | 774020 | WASHER |
| 69 | 243220 | HEX BOLT |
| 70 | 253450 | NUT - INSERT-NYLON |
| 71 | 822632 | TRIM - FENDER EDGE |

Title: QUIK PARTS
Heading: FRONT MOUNTS
Model: 725DT6
Year: 2010.5
Assembly: OPTIONAL HYDRAULIC LIFT ASSEMBLY



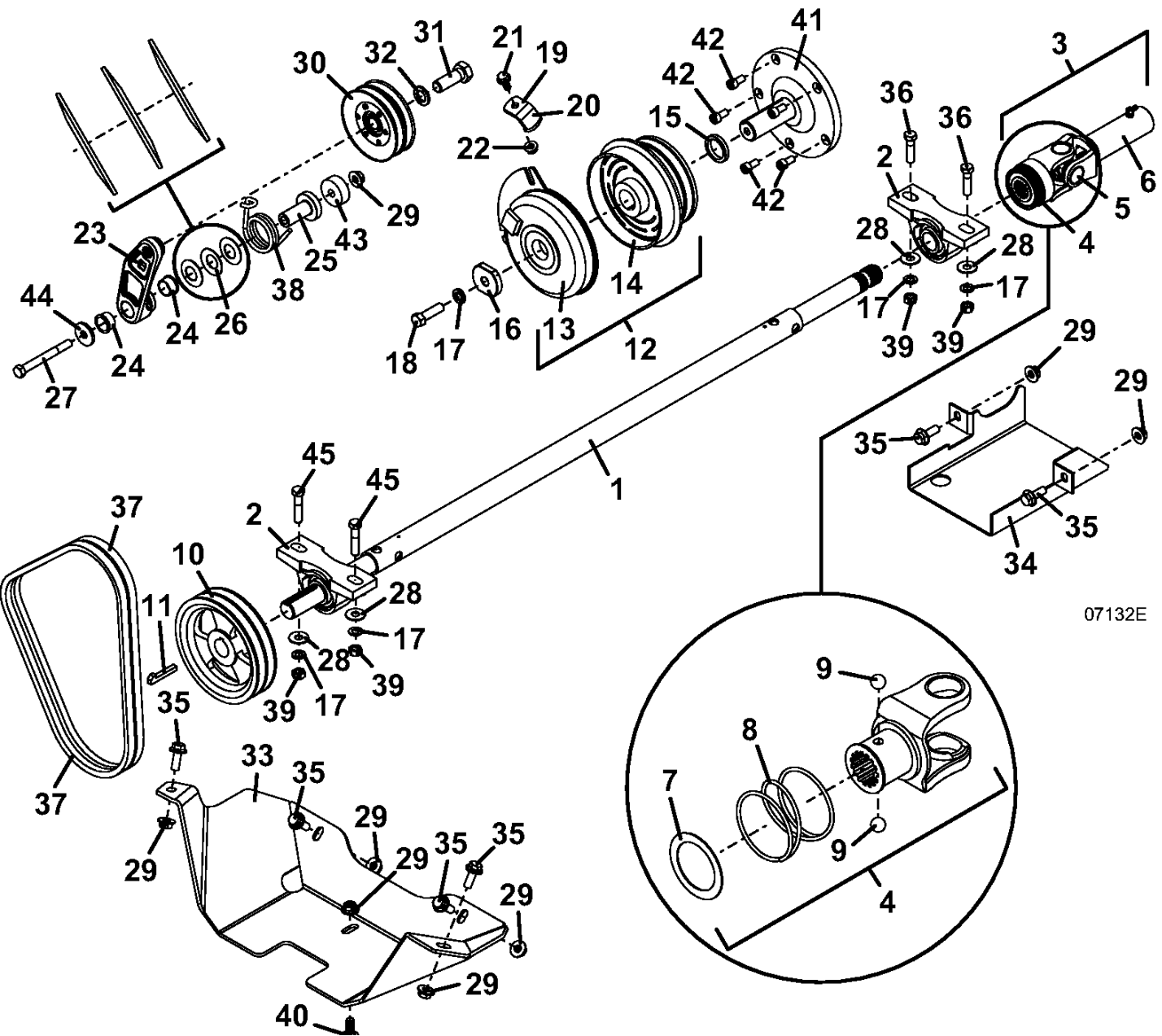
Title: QUIK PARTS
Heading: FRONT MOUNTS
Model: 725DT6
Year: 2010.5
Assembly: OPTIONAL HYDRAULIC LIFT ASSEMBLY

PARTS LIST

| | | |
|----|--------|--------------------------------|
| 1 | 290074 | PUMP - HYD W/ SOL VALVE CCW |
| 1 | 144950 | VALVE - SOLENOID HYDRAULIC |
| 2 | 281540 | KEY SQUARE |
| 3 | 775072 | PLATE - AUX PUMP MOUNT 700T WC |
| 4 | 644865 | MOUNT-AUX HYD PUMP 700T WC W/A |
| 5 | 831433 | SHEAVE |
| 6 | 381400 | BELT |
| 7 | 253203 | BOLT WHIZ FLANGE |
| 8 | 253200 | BOLT WHIZ |
| 8 | 281575 | KEY SQUARE |
| 9 | 644845 | TANK - OIL - AUXILARY |
| 10 | 100728 | DIPSTICK - OIL RESERVOIR M1 |
| 11 | 603330 | FITTING - W/ STRAINER |
| 12 | 363826 | FITTING - BARB STRAIGHT |
| 13 | 821723 | HOSE - VENT CLEAR |
| 14 | 360080 | ADAPTER FITTING O-RING FLARE |
| 15 | 363846 | FITTING |
| 16 | 360053 | ADAPTER |
| 17 | 360082 | ADAPTER |
| 18 | 360062 | ADAPTER |
| 19 | 360044 | ADAPTER - O-RING |
| 20 | 360043 | ADAPTER - O-RING |
| 21 | 780507 | FLOW RESTRICTOR |
| 22 | 360045 | ADAPTER O-RING |
| 23 | 360005 | ADAPTER SWIVELTEE |
| 24 | 821787 | HOSE - HYDRAULIC |
| 25 | 821773 | HOSE - HYDRAULIC |
| 26 | 821800 | HOSE - HYDRAULIC |
| 27 | 280264 | CLAMP - HOSE-SPRING |
| 28 | 280266 | CLAMP - HOSE-SPRING |
| 29 | 290021 | CYLINDER HYDRAULIC |
| 29 | 290096 | SEAL KIT-HYD LIFT CYLINDER HD |
| 30 | 360052 | ADAPTER O-RING |
| 31 | 424540 | HOSE ASSY |
| 32 | 424545 | HOSE ASSY |
| 33 | 887119 | PIN - CYLINDER MOUNT W/ GROOVE |
| 34 | 257062 | WASHER |
| 35 | 253066 | NUT - WHIZ |
| 36 | 263500 | RETAINER EXTERNAL |
| 37 | 261339 | CLEVIS PIN |

| | | |
|----|--------|--------------------------------|
| 38 | 260648 | COTTER PIN |
| 39 | 253192 | BOLT WHIZ HEX FLANGE |
| 40 | 253035 | NUT - WHIZ |
| 41 | 644915 | WEIGHT MOUNT - 700/900 |
| 42 | 323951 | COUNTERWEIGHT - 750 |
| 43 | 729691 | WEIGHT COVER - 50 LB |
| 44 | 240151 | HOOK BOLT |
| 45 | 253043 | NUT - WHIZ |
| 46 | 603804 | STEERING LEVER ASSY - ADJ. RT |
| 47 | 824579 | STRG LVR-LWR RT FLDG W/LIFT |
| 48 | 824577 | LEVER-OFFSET FOLDING W/SWITCH |
| 49 | 422508 | STEP BUSHING |
| 50 | 243035 | HEX BOLT |
| 51 | 253850 | NUT - LOCK |
| 52 | 247130 | CARRIAGE BOLT |
| 53 | 257019 | WASHER - FLAT |
| 54 | 254438 | NUT - ADJUSTABLE LEVER |
| 55 | 422095 | CAP - VINYL .75 ID |
| 56 | 422179 | GRIP - HANDLE |
| 57 | 604799 | SWITCH / MT ASSY - HYD LIFT |
| 58 | 645204 | CROSSMEMBER - CENTER HYD 700WC |

Title: QUIK PARTS
Heading: FRONT MOUNTS
Model: 725DT6
Year: 2010.5
Assembly: PTO SHAFT AND CLUTCH ASSEMBLY



07132E

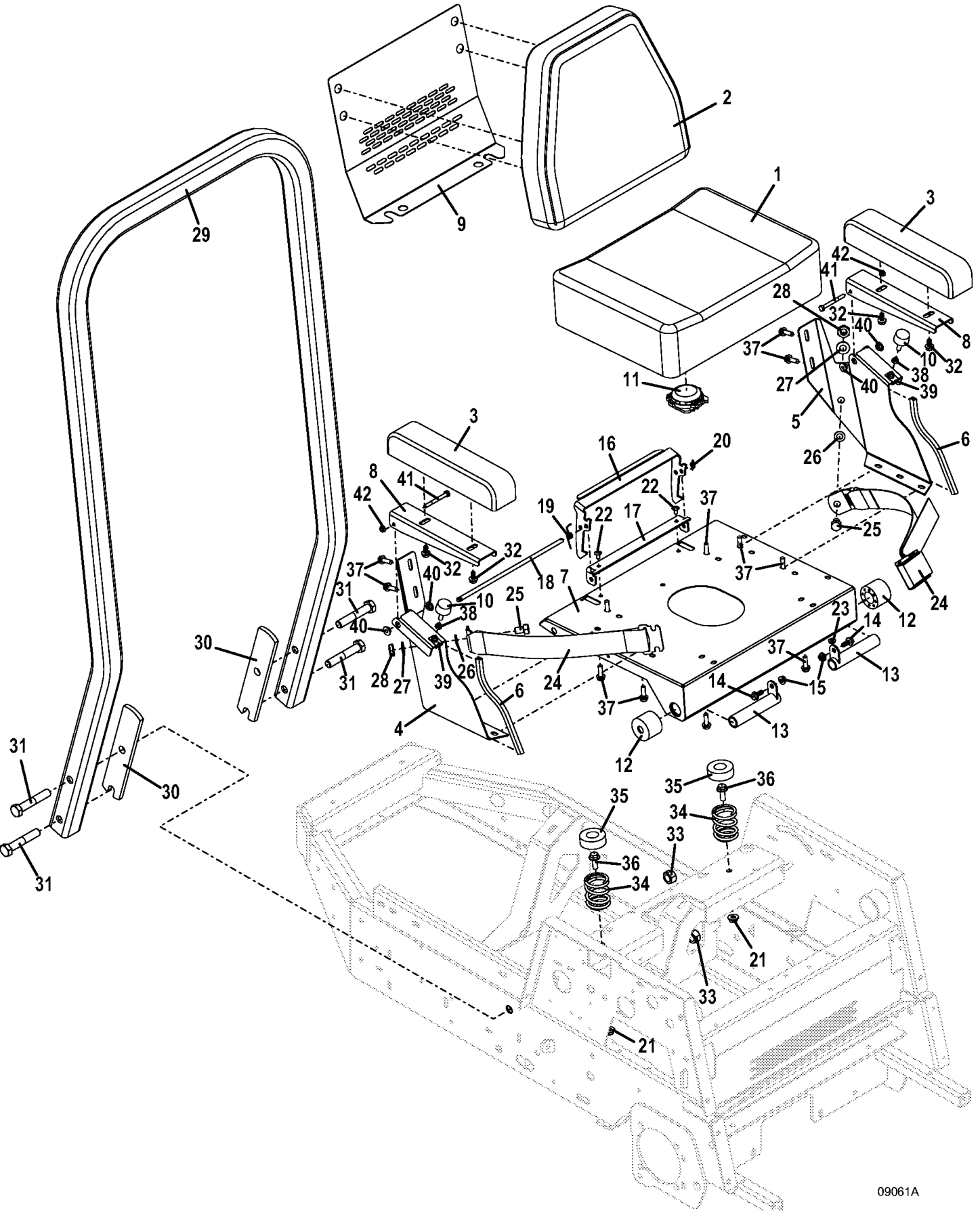
Title: QUIK PARTS
Heading: FRONT MOUNTS
Model: 725DT6
Year: 2010.5
Assembly: PTO SHAFT AND CLUTCH ASSEMBLY

PARTS LIST

| | | |
|----|--------|--------------------------------|
| 1 | 644727 | POWER SHAFT |
| 2 | 122044 | BEARING - PILLOWBLOCK SC |
| 3 | 398914 | UN HALF SLEEVE |
| 4 | 401019 | YOKE SPLINED QD |
| 5 | 121010 | CROSS & BEARING |
| 6 | 401017 | YOKE W/SLEEVE |
| 7 | 263660 | RETAINER EXTERNAL |
| 8 | 283525 | SPRING - COMPRESSION |
| 9 | 300014 | BALL STEEL |
| 10 | 415650 | SHEAVE |
| 11 | 281588 | KEY SQUARE - GIB |
| 12 | 388771 | CLUTCH -1.125 PLG HDBRG SBRAKE |
| 13 | 388875 | FIELD ASSY - W/BRAKE |
| 14 | 388866 | ARMATURE & ROTOR ASSY |
| 15 | 902583 | SPACER |
| 16 | 257039 | WASHER |
| 17 | 257412 | WASHER - LOCK |
| 18 | 243337 | HEX BOLT GR 8 |
| 19 | 732407 | BRACKET - CLUTCH ANTI-ROTATION |
| 20 | 422087 | COVER - CLUTCH BRACKET |
| 21 | 253192 | BOLT WHIZ HEX FLANGE |
| 22 | 253035 | NUT - WHIZ |
| 23 | 824467 | IDLER ARM ASSY - 600/700 T/T6 |
| 24 | 121756 | BEARING - OILITE |
| 25 | 121651 | BEARING - PEDESTAL |
| 26 | 257319 | WASHER - SPRING |
| 27 | 243375 | HEX BOLT |
| 28 | 257040 | WASHER |
| 29 | 253043 | NUT - WHIZ |
| 30 | 415610 | SHEAVE |
| 31 | 243805 | HEX BOLT |
| 32 | 257452 | WASHER - LOCK |
| 33 | 644424 | GUARD - SHEAVE - 700DT |
| 34 | 729287 | SHIELD - PTO SHAFT |
| 35 | 253203 | BOLT WHIZ FLANGE |
| 36 | 243340 | HEX BOLT |
| 37 | 381914 | BELT |
| 38 | 284428 | SPRING - TORSION |
| 39 | 254450 | NUT |
| 40 | 247253 | CARRIAGE BOLT |

| | | |
|----|--------|------------------------|
| 41 | 824637 | SHAFT - CLUTCH STUB |
| 42 | 270075 | SCREW - SOCKET HEAD M8 |
| 43 | 902315 | SPACER - IDLER ARM |
| 44 | 774020 | WASHER |
| 45 | 243343 | HEX BOLT |

Title: QUIK PARTS
Heading: FRONT MOUNTS
Model: 725DT6
Year: 2010.5
Assembly: ROPS AND SEAT ASSEMBLY



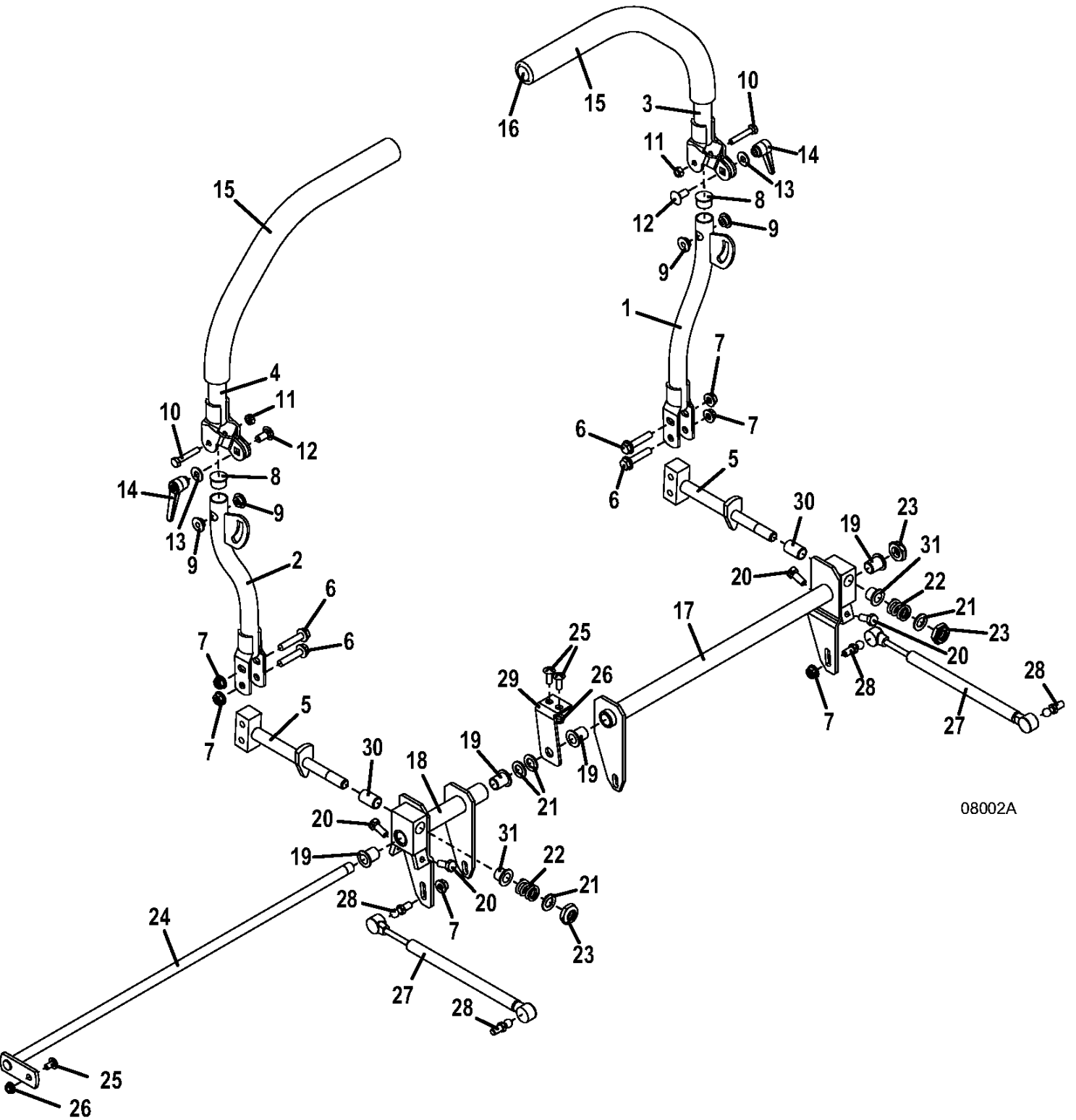
Title: QUIK PARTS
Heading: FRONT MOUNTS
Model: 725DT6
Year: 2010.5
Assembly: ROPS AND SEAT ASSEMBLY

PARTS LIST

| | | |
|----|--------|--------------------------------|
| 1 | 321518 | SEAT CUSHION - CORDURA |
| 2 | 321520 | BACK CUSHION - CORDURA W/LOGO |
| 3 | 321523 | ARMREST - CORDURA CONTOURED |
| 4 | 723435 | SEAT SIDE - FOLDING ARMREST RT |
| 5 | 723436 | SEAT SIDE - FOLDING ARMREST LT |
| 6 | 822630 | TRIM - SEAT EDGE |
| 7 | 644816 | SEAT MOUNT - DUAL LATCH |
| 8 | 754288 | ARM REST - FOLDING |
| 9 | 722884 | SEAT REIN - RAISED BACKREST |
| 10 | 424056 | BUMPER - W/STUD |
| 11 | 183871 | SWITCH - SEAT - TWIST IN |
| 12 | 424095 | ISOLATOR - SEAT |
| 13 | 644618 | PIN - SEAT HINGE |
| 14 | 253192 | BOLT WHIZ HEX FLANGE |
| 15 | 253035 | NUT - WHIZ |
| 16 | 754240 | DUAL LATCH - SEAT |
| 17 | 754226 | BRACKET - DUAL LATCH MOUNT |
| 18 | 730230 | PIVOT PIN - SEAT LATCH |
| 19 | 284408 | SPRING - TORSION |
| 20 | 260606 | RING COTTER |
| 21 | 253043 | NUT - WHIZ |
| 22 | 253176 | BOLT WHIZ TRUSS |
| 23 | 253025 | NUT - WHIZ |
| 24 | 324200 | SEAT BELT - NON RETRACT |
| 25 | 243551 | HEX BOLT |
| 26 | 257063 | WASHER |
| 27 | 257062 | WASHER |
| 28 | 253470 | NUT - INSERT-NYLON |
| 29 | 324103 | TUBE - ROPS - 700/900 |
| 30 | 901645 | SPACER - ROPS 700/900 |
| 31 | 243840 | HEX BOLT |
| 32 | 253191 | BOLT WHIZ HEX FLANGE |
| 33 | 253970 | NUT - LOCK |
| 34 | 283516 | SPRING - COMPRESSION |
| 35 | 422127 | CAP - SEAT SPRING |
| 36 | 253203 | BOLT WHIZ FLANGE |
| 37 | 253193 | BOLT WHIZ HEX FLANGE |
| 38 | 833542 | CAP - BUMPER NUT |
| 39 | 830325 | NUT SPEED |
| 40 | 422508 | STEP BUSHING |

| | | |
|----|--------|--------------------|
| 41 | 243050 | HEX BOLT |
| 42 | 253440 | NUT - INSERT-NYLON |

Title: QUIK PARTS
Heading: FRONT MOUNTS
Model: 725DT6
Year: 2010.5
Assembly: STEERING ASSEMBLY



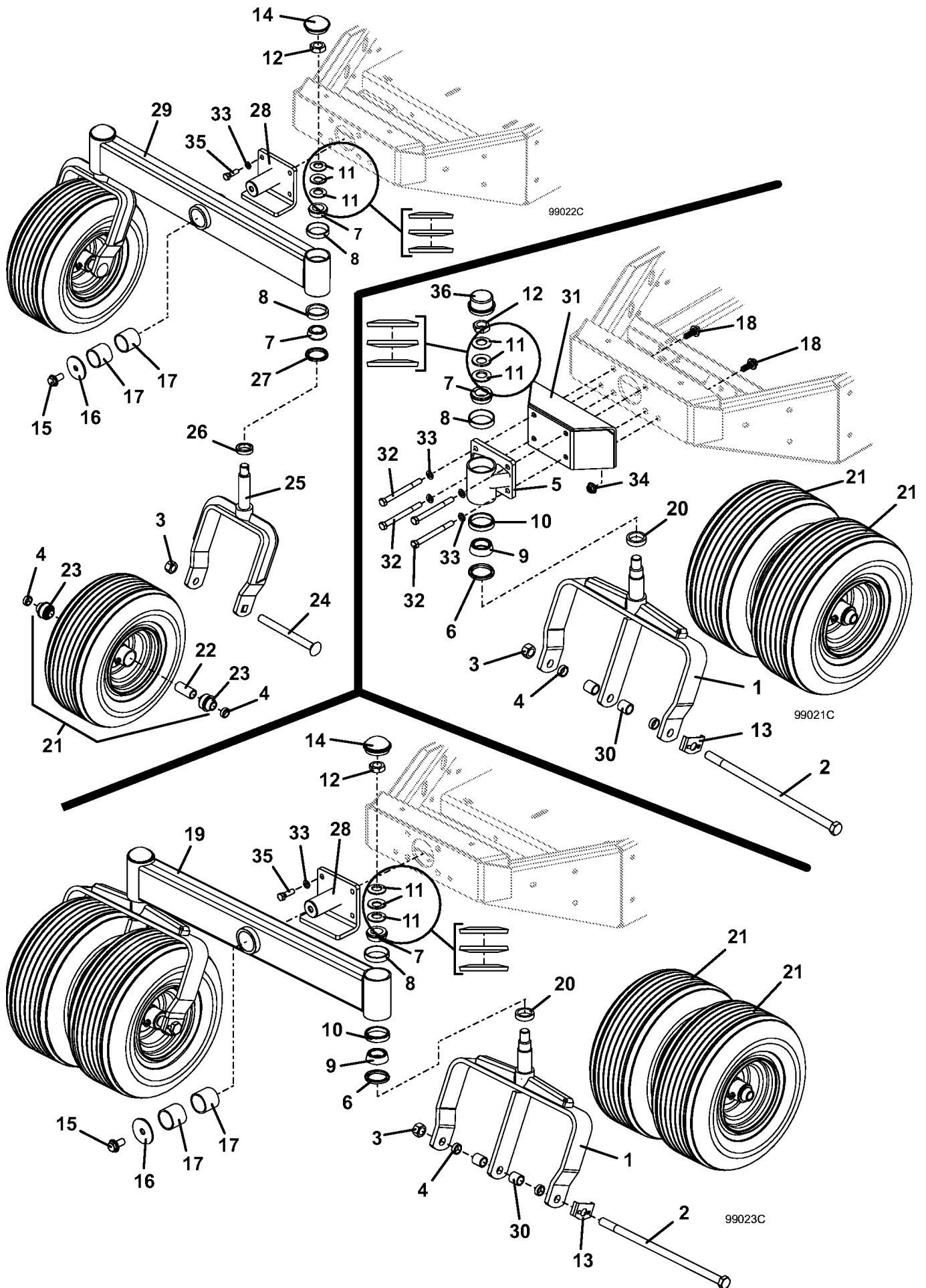
08002A

Title: QUIK PARTS
Heading: FRONT MOUNTS
Model: 725DT6
Year: 2010.5
Assembly: STEERING ASSEMBLY

PARTS LIST

| | | |
|----|--------|----------------------------------|
| 1 | 645748 | STRG LEVER W/A - LWR RT FLDG |
| 2 | 645749 | STRG LEVER W/A - LWR LT FLDG |
| 3 | 645744 | STRG LVR W/A-UPR LT FLDG 7/900 |
| 4 | 645745 | STRG LVR W/A-UPR LT FLDG 7/900 |
| 5 | 643926 | MOUNT - STEERING LEVER ADJ. |
| 6 | 253195 | BOLT WHIZ HEX FLANGE |
| 7 | 253035 | NUT - WHIZ |
| 8 | 422063 | PLUG NYLON .75 DIA X .859 OD BLK |
| 9 | 422508 | STEP BUSHING |
| 10 | 243035 | HEX BOLT |
| 11 | 253850 | NUT - LOCK |
| 12 | 247130 | CARRIAGE BOLT |
| 13 | 257019 | WASHER - FLAT |
| 14 | 254438 | NUT - ADJUSTABLE LEVER |
| 15 | 422179 | GRIP - HANDLE |
| 16 | 422095 | CAP - VINYL .75 ID |
| 17 | 604598 | PIVOT RT W/STOP & BRGS 700T6 |
| 18 | 604599 | PIVOT LT W/STOP & BRGS 700T6 |
| 19 | 422559 | SLEEVE BEARING W/FLANGE |
| 20 | 243197 | HEX BOLT |
| 21 | 257063 | WASHER |
| 22 | 283324 | SPRING - COMPRESSION |
| 23 | 253470 | NUT - INSERT-NYLON |
| 24 | 644601 | PIVOT - STEERING - 700T |
| 25 | 253179 | BOLT WHIZ PHIL TRUSS |
| 26 | 253025 | NUT - WHIZ |
| 27 | 285032 | DAMPER W/BALL SOCKET - REVERSE |
| 28 | 265680 | BALL STUD |
| 29 | 729404 | SUPPORT - STEERING ROD 700T |
| 30 | 422557 | SLEEVE BEARING |
| 31 | 422556 | SLEEVE BEARING W/FLANGE |

Title: QUIK PARTS
Heading: FRONT MOUNTS
Model: 725DT6
Year: 2010.5
Assembly: TAIL WHEEL OPTIONS

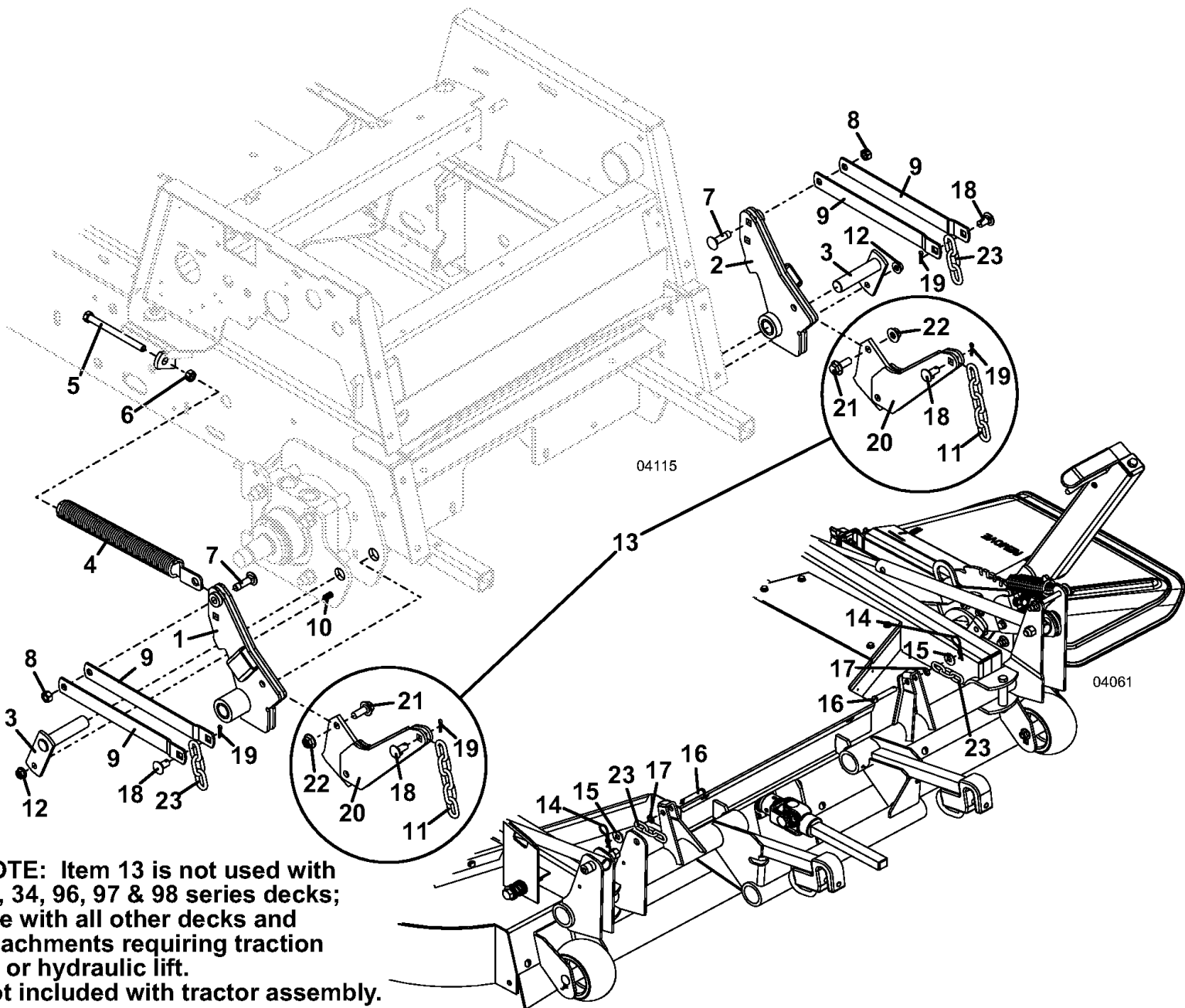


Title: QUIK PARTS
Heading: FRONT MOUNTS
Model: 725DT6
Year: 2010.5
Assembly: TAIL WHEEL OPTIONS

PARTS LIST

| | | |
|----|--------|--------------------------------|
| 1 | 604366 | FORK & LOCK NUT ASSY - DUAL |
| 2 | 243922 | HEX BOLT |
| 3 | 253970 | NUT - LOCK |
| 4 | 902422 | SPACER - AXLE |
| 5 | 824534 | HOUSING - RR DUAL FORK PIVOT |
| 6 | 125855 | SEAL |
| 7 | 122522 | BEARING - TAPER |
| 8 | 123522 | BEARING CUP |
| 9 | 122523 | BEARING - TAPER |
| 10 | 123521 | BEARING CUP |
| 11 | 257320 | WASHER - SPRING |
| 12 | 254505 | NUT - JAM NYLON-TOPLOCK |
| 13 | 723008 | LOCK - FORK BOLT |
| 14 | 481434 | DUST CAP - DOMED |
| 15 | 253243 | BOLT WHIZ |
| 16 | 257061 | WASHER |
| 17 | 833275 | BEARING - REAMED OILITE |
| 18 | 253203 | BOLT WHIZ FLANGE |
| 19 | 824508 | BEAM - WIDE DUAL |
| 20 | 830420 | SPACER |
| 21 | 603975 | WHEEL ASSY -REAR W/DP BEARINGS |
| 21 | 482355 | TIRE - RIB - 6 |
| 21 | 483306 | WHEEL - 6 - TAN |
| 22 | 902429 | SPACER - AXLE CENTER REAR |
| 23 | 120048 | BEARING - BALL DP WHEEL |
| 24 | 247725 | CARRIAGE BOLT |
| 25 | 604365 | FORK & LOCK NUT ASSY |
| 26 | 282615 | SPACER |
| 27 | 125855 | SEAL |
| 28 | 643631 | PIVOT - REAR AXLE TAPPED |
| 29 | 824510 | BEAM - DUAL WHEEL |
| 30 | 902425 | SPACER - AXLE |
| 31 | 643015 | ADAPTER - PIVOT MOUNT |
| 32 | 243385 | HEX BOLT |
| 33 | 257412 | WASHER - LOCK |
| 34 | 253043 | NUT - WHIZ |
| 35 | 243334 | HEX BOLT GR 8 |
| 36 | 481432 | CAP - DUST |

Title: QUIK PARTS
Heading: FRONT MOUNTS
Model: 725DT6
Year: 2010.5
Assembly: TRACTION KIT



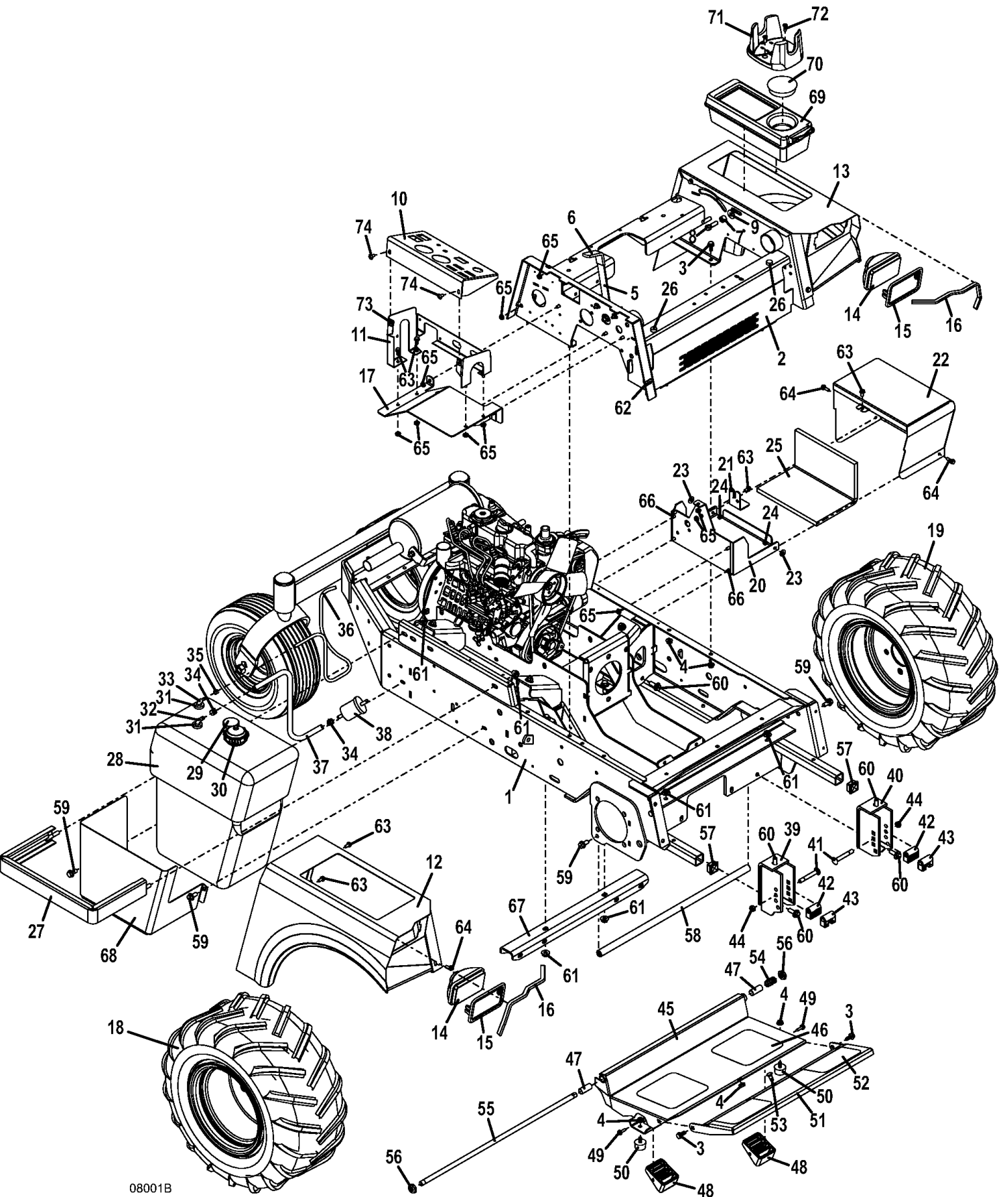
NOTE: Item 13 is not used with 33, 34, 96, 97 & 98 series decks; use with all other decks and attachments requiring traction kit or hydraulic lift. Not included with tractor assembly.

Title: QUIK PARTS
Heading: FRONT MOUNTS
Model: 725DT6
Year: 2010.5
Assembly: TRACTION KIT

PARTS LIST

| | | |
|----|--------|--------------------------------|
| 1 | 603699 | ROCKER - W/O EXT - H2 RT |
| 1 | 121764 | BEARING - OILITE |
| 2 | 603700 | ROCKER - W/O EXT - H2 LT |
| 2 | 121764 | BEARING - OILITE |
| 3 | 644635 | PIN - TRACTION KIT W/A |
| 4 | 604838 | SPRING & PLUG NUT ASSY |
| 5 | 243395 | HEX BOLT |
| 6 | 254450 | NUT |
| 7 | 247254 | CARRIAGE BOLT |
| 8 | 253890 | NUT - LOCK |
| 9 | 732410 | STRAP - LIFT 600 W/SL DECK |
| 10 | 253192 | BOLT WHIZ HEX FLANGE |
| 11 | 820320 | CHAIN - LIFT |
| 12 | 253035 | NUT - WHIZ |
| 13 | 604708 | ROCKER EXTENSION KIT - 700/900 |
| 14 | 260523 | HAIR PIN |
| 15 | 257040 | WASHER |
| 16 | 261362 | CLEVIS PIN |
| 17 | 262950 | RETAINER PUSH-ON |
| 18 | 261339 | CLEVIS PIN |
| 19 | 260648 | COTTER PIN |
| 20 | 644706 | EXTENSION - ROCKER ARM |
| 21 | 253203 | BOLT WHIZ FLANGE |
| 22 | 253043 | NUT - WHIZ |
| 23 | 820317 | CHAIN - LIFT 3 LINKS |

Title: QUIK PARTS
Heading: FRONT MOUNTS
Model: 725DT6
Year: 2010.5
Assembly: TRACTOR ASSEMBLY



Title: QUIK PARTS
Heading: FRONT MOUNTS
Model: 725DT6
Year: 2010.5
Assembly: TRACTOR ASSEMBLY

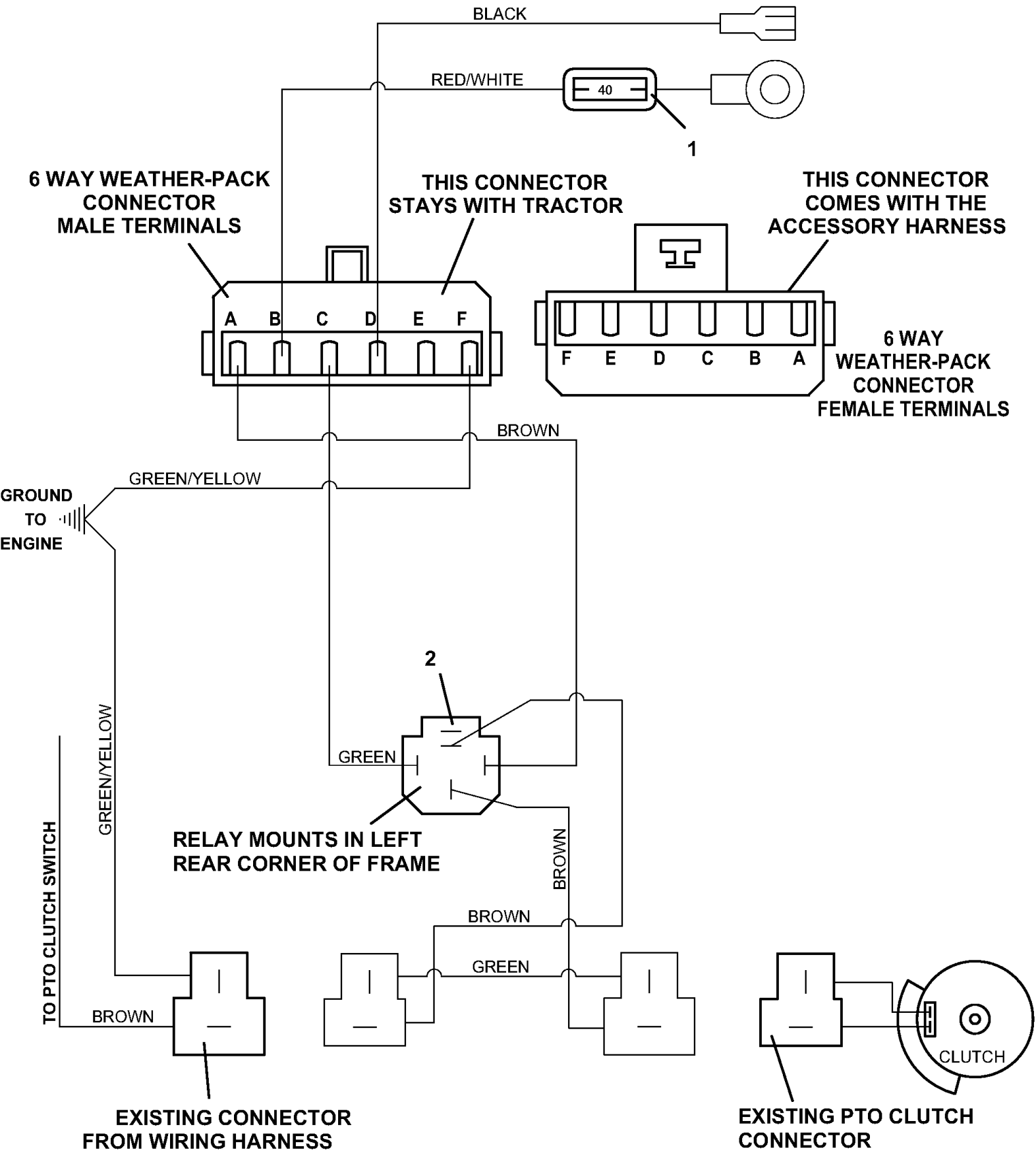
PARTS LIST

| | | |
|----|--------|-------------------------------|
| 1 | 644877 | FRAME - LOWER 700T WC |
| 2 | 645211 | FRAME - UPPER 700 LOW |
| 3 | 253192 | BOLT WHIZ HEX FLANGE |
| 4 | 253035 | NUT - WHIZ |
| 5 | 605820 | THROTTLE ASSY - 700T WC |
| 5 | 323657 | CONTROL CABLE ASSY |
| 5 | 722009 | STOP - THROTTLE LEVER |
| 5 | 722736 | THROTTLE STOP - HEAVY DUTY |
| 6 | 422150 | GRIP - HANDLE |
| 7 | 902280 | SPACER |
| 8 | 243335 | HEX BOLT |
| 9 | 257040 | WASHER |
| 10 | 693109 | CONSOLE LC W/DECAL DIESEL |
| 11 | 722876 | FRAME - CONSOLE MOUNT |
| 12 | 693220 | FENDER W/DECAL 7/900 RT |
| 12 | 163776 | DECAL - 725D TRIM RT 10 |
| 13 | 693221 | FENDER W/DECAL 7/900 LT |
| 13 | 163777 | DECAL - 725D TRIM LT 10 |
| 14 | 182253 | WORKLAMP - FLOOD |
| 15 | 182251 | BEZEL-SNAP MOUNT WORKLAMP |
| 16 | 822632 | TRIM - FENDER EDGE |
| 17 | 645050 | CONSOLE MOUNT |
| 18 | 483942 | WHEEL & TIRE - BAR TREAD 10RT |
| 18 | 482473 | TIRE - TURF - 10 |
| 18 | 482483 | TIRE - BAR TREAD - 10 |
| 18 | 483420 | WHEEL - 10 - 5 BOLT |
| 18 | 483946 | WHEEL & TIRE - TURF - 10 |
| 19 | 483943 | WHEEL & TIRE - BAR TREAD 10LT |
| 19 | 482473 | TIRE - TURF - 10 |
| 19 | 482483 | TIRE - BAR TREAD - 10 |
| 19 | 483420 | WHEEL - 10 - 5 BOLT |
| 19 | 483946 | WHEEL & TIRE - TURF - 10 |
| 20 | 644163 | BATTERY BOX W/O DRAW LATCH |
| 21 | 754135 | BRACKET - BATTERY HOLD DOWN |
| 22 | 644478 | LID - BATTERY BOX W/O LATCH |
| 23 | 257020 | WASHER |
| 24 | 253440 | NUT - INSERT-NYLON |
| 25 | 427278 | PAD - BATTERY TRAY |
| 26 | 424015 | RUBBER BUMPER |
| 27 | 644826 | MOUNT - TANK - 8 GALLON W/A |

| | | |
|----|--------|--------------------------------|
| 28 | 604846 | TANK ASSY - 8.0 DIESEL |
| 29 | 141144 | GAUGE - INTANK - FUEL |
| 29 | 424275 | GROMMET |
| 30 | 100211 | CAP - FUEL-SCREW ON-DIESEL |
| 31 | 101875 | GROMMET |
| 32 | 363930 | TUBE - FUEL |
| 33 | 363924 | TUBE - FUEL |
| 34 | 280261 | CLAMP - HOSE-SPRING |
| 35 | 280257 | CLAMP - HOSE-SPRING |
| 36 | 821741 | HOSE - FUEL RETURN 300S |
| 37 | 821716 | HOSE - FUEL LINE 928D |
| 38 | 101005 | PREFILTER - FUEL KUBOTA |
| 39 | 643092 | DECK MOUNT - QD 700/900 RT |
| 40 | 643093 | DECK MOUNT - QD 700/900 LT |
| 41 | 247280 | CARRIAGE BOLT SPECIAL |
| 42 | 282575 | BUSHING - DECK MOUNT |
| 43 | 282576 | BUSHING - DECK MOUNT-FLOATING |
| 44 | 253460 | NUT - INSERT-NYLON |
| 45 | 604346 | FOOT PLATFORM ASSY-ADJ 700/900 |
| 46 | 420905 | TREAD - FOOT REST |
| 47 | 422615 | NYLON BEARING |
| 48 | 424100 | ISOLATOR BLOCK - FOOTREST |
| 49 | 243026 | HEX BOLT |
| 50 | 424052 | RUBBER BUMPER |
| 51 | 603301 | EXTENSION - 700 FOOT PLATFORM |
| 52 | 420904 | TREAD - FOOT REST EXT |
| 53 | 247130 | CARRIAGE BOLT |
| 54 | 283312 | SPRING - COMPRESSION |
| 55 | 780673 | PIVOT ROD - FOOT PLATFORM 700 |
| 56 | 253470 | NUT - INSERT-NYLON |
| 57 | 422065 | PLUG SQ PLASTIC |
| 58 | 780900 | TENSION ROD |
| 59 | 253200 | BOLT WHIZ |
| 60 | 253203 | BOLT WHIZ FLANGE |
| 61 | 253043 | NUT - WHIZ |
| 62 | 254431 | NUT - SPEED |
| 63 | 253173 | BOLT WHIZ HEX |
| 64 | 253175 | BOLT WHIZ HEX |
| 65 | 253025 | NUT - WHIZ |
| 66 | 253176 | BOLT WHIZ TRUSS |
| 67 | 725511 | CROSSMEMBER - CENTER 700T WC |
| 68 | 723339 | SHIELD - TANK - 8 GALLON |
| 69 | 422040 | TOOL BOX |
| 70 | 422066 | HOLE PLUG - CUP |
| 71 | 150225 | CUP HOLDER |

| | | |
|----|--------|-------------------------------|
| 72 | 259030 | CAP SCREW |
| 72 | 254436 | NUT |
| 73 | 254432 | NUT - PLASTIC RETAINER |
| 74 | 253180 | BOLT .25-20 X.5 PHIL TRUSS HD |
| 75 | 605542 | DECAL SET - 725DT6 |

Title: QUIK PARTS
Heading: FRONT MOUNTS
Model: 725DT6
Year: 2010.5
Assembly: UNIVERSAL HARNESS - LIMITED

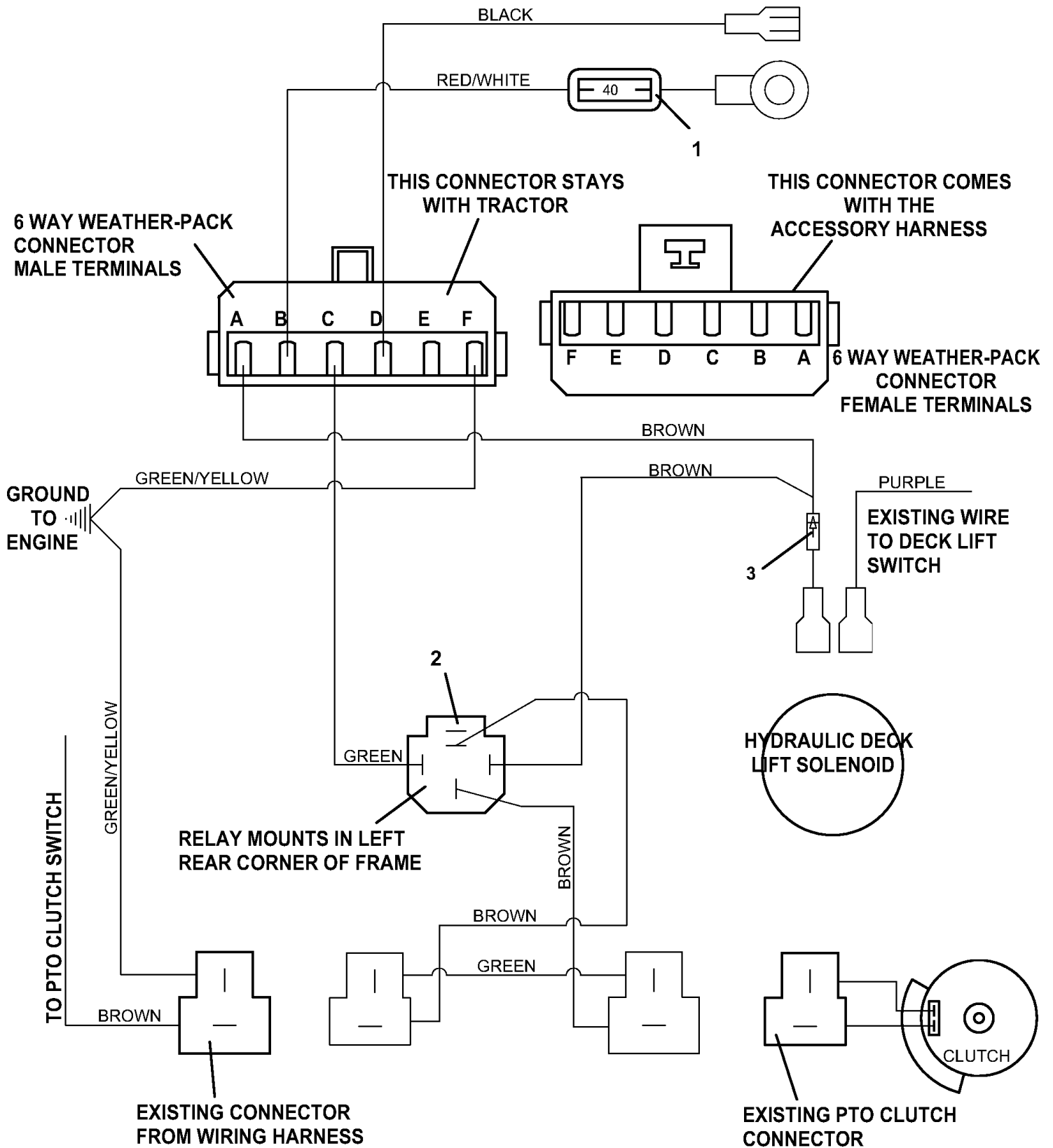


Title: QUIK PARTS
Heading: FRONT MOUNTS
Model: 725DT6
Year: 2010.5
Assembly: UNIVERSAL HARNESS - LIMITED

PARTS LIST

| | | |
|----------|---------------|--------------------------------|
| 1 | 181475 | FUSE - AUTO ATC - 40 |
| 2 | 184271 | RELAY 12VDC W/MT |
| 2 | 184570 | TYPE 1 6MM PUSHON |
| 2 | 184581 | TERMINAL - .250 FASTON |
| 2 | 184926 | CONNECTOR - 5WAY FEMALE |
| 3 | 605847 | WIRE ASSY - LUH W/WP |

Title: QUIK PARTS
Heading: FRONT MOUNTS
Model: 725DT6
Year: 2010.5
Assembly: UNIVERSAL HARNESS

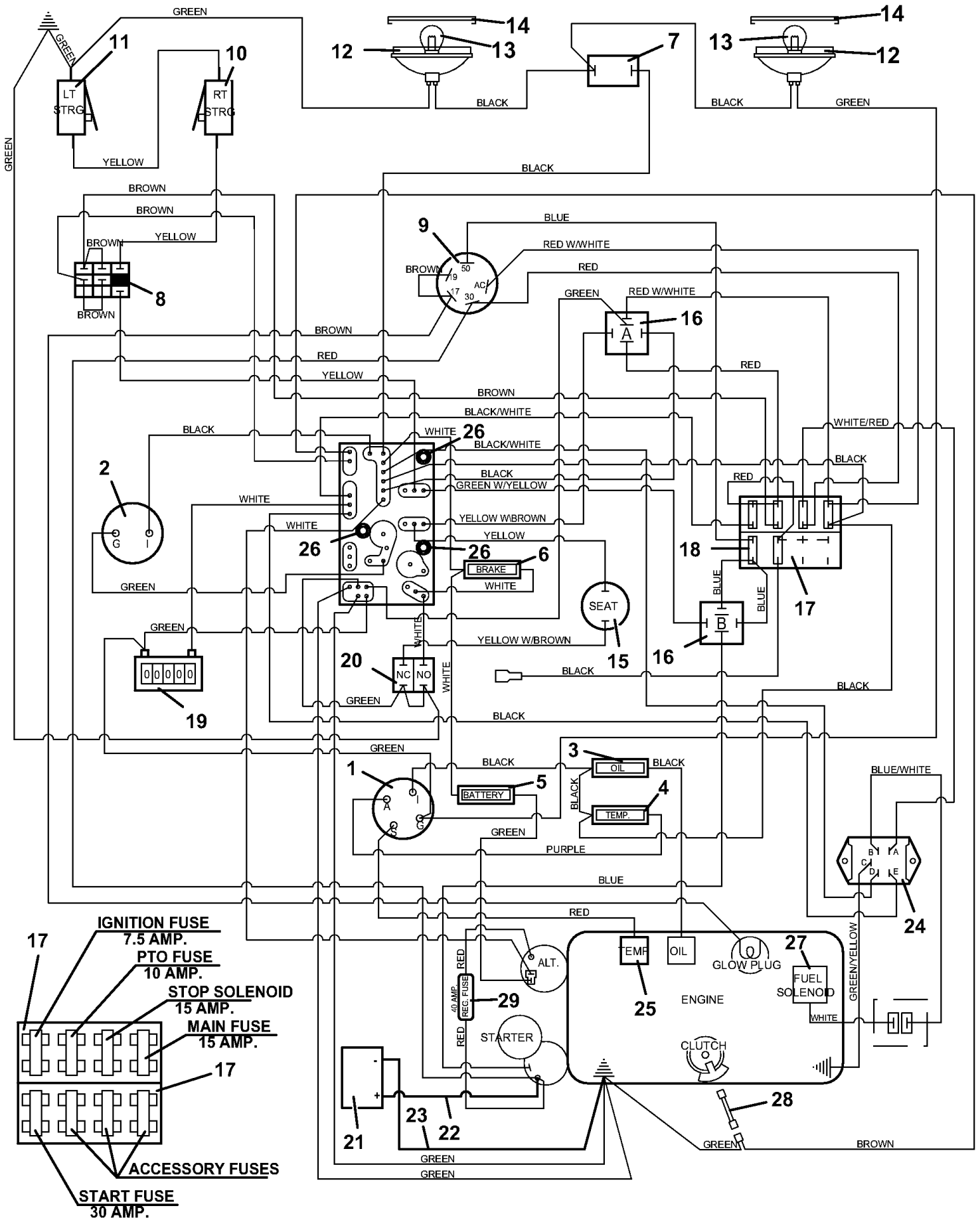


Title: QUIK PARTS
Heading: FRONT MOUNTS
Model: 725DT6
Year: 2010.5
Assembly: UNIVERSAL HARNESS

PARTS LIST

| | | |
|----------|---------------|----------------------------------|
| 1 | 181475 | FUSE - AUTO ATC - 40 |
| 2 | 184271 | RELAY 12VDC W/MT |
| 2 | 184570 | TYPE 1 6MM PUSHON |
| 2 | 184581 | TERMINAL - .250 FASTON |
| 2 | 184926 | CONNECTOR - 5WAY FEMALE |
| 3 | 202105 | DIODE 800 V. |
| 4 | 605959 | WIRE ASSY- UNIV W/WP 2007 |

Title: QUIK PARTS
Heading: FRONT MOUNTS
Model: 725DT6
Year: 2010.5
Assembly: WIRING DIAGRAM



Title: QUIK PARTS
Heading: FRONT MOUNTS
Model: 725DT6
Year: 2010.5
Assembly: WIRING DIAGRAM

PARTS LIST

| | | |
|----|--------|--------------------------------|
| 1 | 141160 | GAUGE - TEMP ZONED ELECTRIC |
| 2 | 141200 | GAUGE - VOLTMETER |
| 3 | 182327 | LIGHT INDICATOR - OIL |
| 4 | 182328 | LIGHT INDICATOR - TEMP |
| 5 | 182325 | LIGHT INDICATOR - BATTERY |
| 6 | 182326 | LIGHT INDICATOR - BRAKE |
| 7 | 184179 | SWITCH - ROCKER |
| 8 | 183925 | SWITCH - PUSH/PULL |
| 9 | 183827 | SWITCH - KEY-SEALED-KUBOTA |
| 9 | 101106 | KEY IGN - DOUBLE NOTCH KUBOTA |
| 10 | 183860 | SWITCH - LEVER |
| 10 | 720160 | MOUNT - STEERING SWITCH RT |
| 11 | 183860 | SWITCH - LEVER |
| 11 | 720161 | MOUNT - STEERING SWITCH LT |
| 12 | 182253 | WORKLAMP - FLOOD |
| 13 | 182005 | LIGHT BULB - WORKLAMP |
| 14 | 182251 | BEZEL-SNAP MOUNT WORKLAMP |
| 15 | 183871 | SWITCH - SEAT - TWIST IN |
| 16 | 184272 | RELAY 12VDC |
| 16 | 184570 | TYPE 1 6MM PUSHON |
| 16 | 184581 | TERMINAL - .250 FASTON |
| 16 | 184926 | CONNECTOR - 5WAY FEMALE |
| 17 | 181722 | FUSE BLOCK |
| 17 | 184458 | FUSE CLIP - 1 WIRE |
| 17 | 184460 | FUSE CLIP - 2 WIRE |
| 17 | 184472 | FUSE CLIP - DOUBLE CLIP |
| 18 | 181470 | FUSE - AUTO ATC - 30 |
| 18 | 181460 | FUSE - AUTO ATC - 7.50 |
| 18 | 181462 | FUSE - AUTO ATC - 10 |
| 18 | 181465 | FUSE - AUTO ATC - 15 |
| 19 | 141551 | HOUR METER - SNAP IN |
| 20 | 183894 | SWITCH - BRAKE INTERLOCK |
| 21 | 180130 | BATTERY - 12 VOLT SIDEPOST-WET |
| 21 | 243309 | HEX BOLT |
| 22 | 180313 | CABLE - BATTERY 14 RED |
| 22 | 425215 | BOOT - ALTERNATOR TERMINAL RED |
| 22 | 425219 | STARTER TERMINAL BOOT |
| 22 | 425223 | BATTERY TERMINAL BOOT |
| 23 | 180282 | CABLE - BATTERY 20 BLACK |
| 24 | 184217 | MODULE - SWITCH INTERLOCK D902 |

| | | |
|----|--------|--------------------------------|
| 25 | 141222 | TEMPERATURE SENDER |
| 26 | 423690 | SPACER - PC BOARD SUPPORT |
| 27 | 101046 | SOLENOID - FUEL VALVE |
| 28 | 388840 | CABLE ASSY - PIGTAIL |
| 29 | 604888 | FUSE HOLDER - INLINE-REGULATOR |
| 29 | 181475 | FUSE - AUTO ATC - 40 |
| 30 | 605877 | WIRING ASSY - 725DT6 |
| 31 | 161123 | DECAL - CONSOLE |