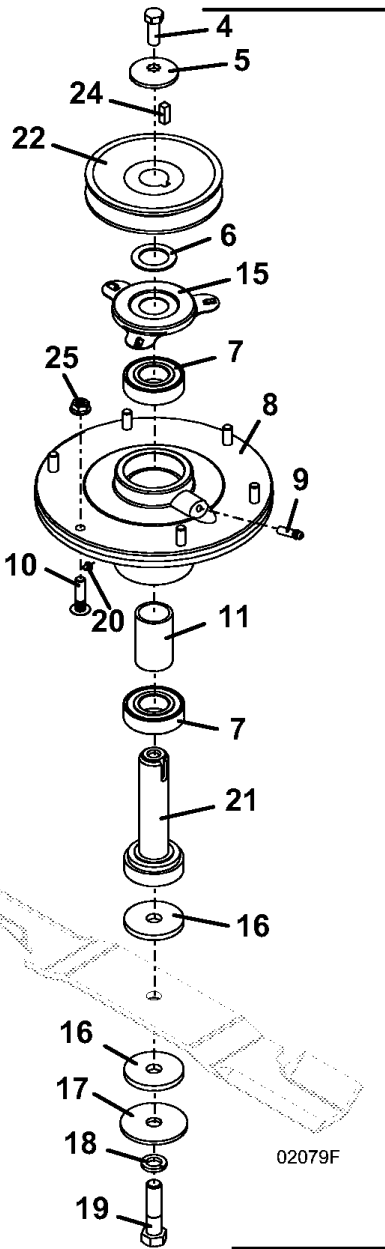
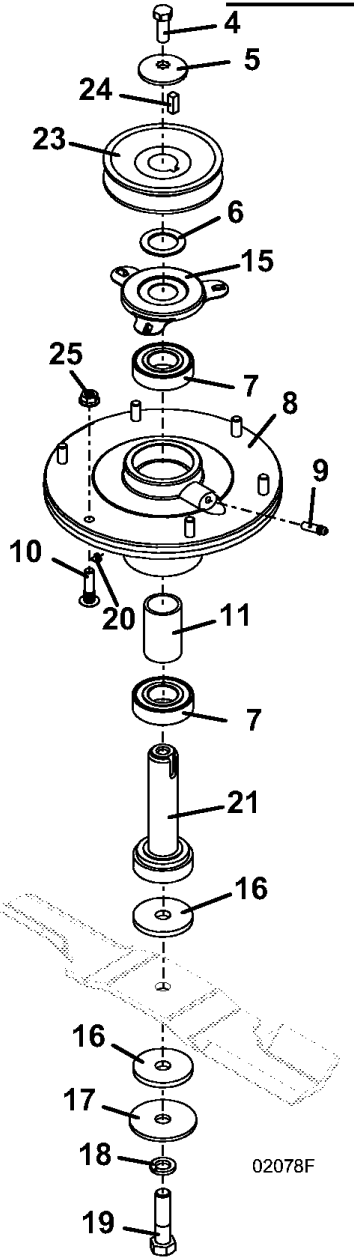


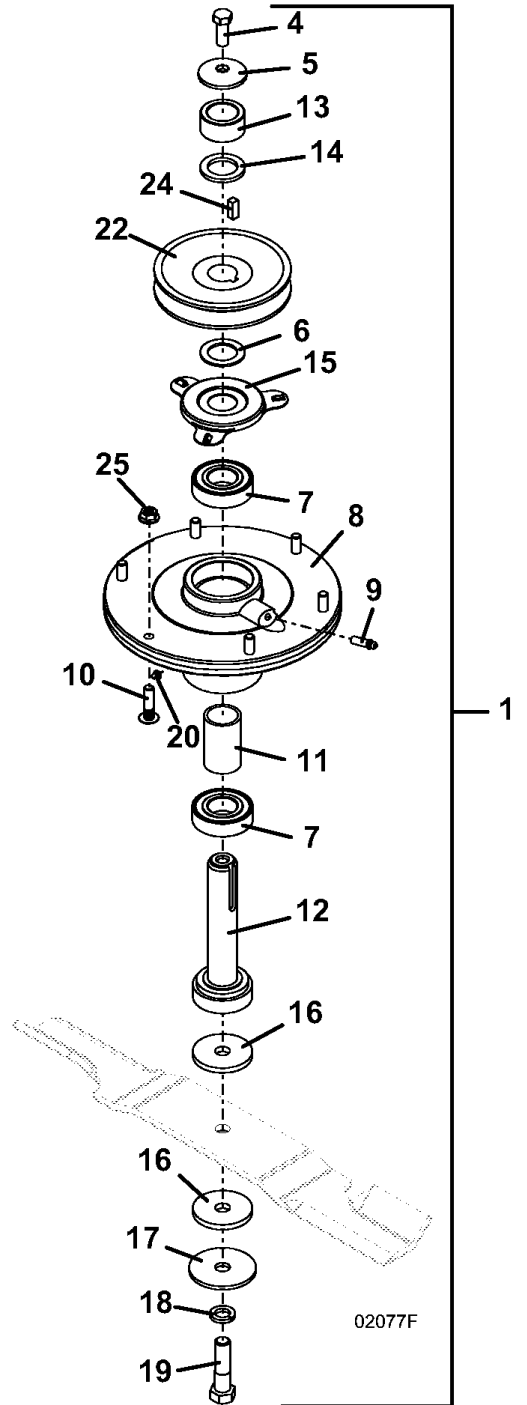
Title: QUIK PARTS
Heading: DECKS
Model: 3344-3348
Year: 2009
Assembly: BLADE SPINDLE ASSEMBLY - 3348



LEFT



CENTER



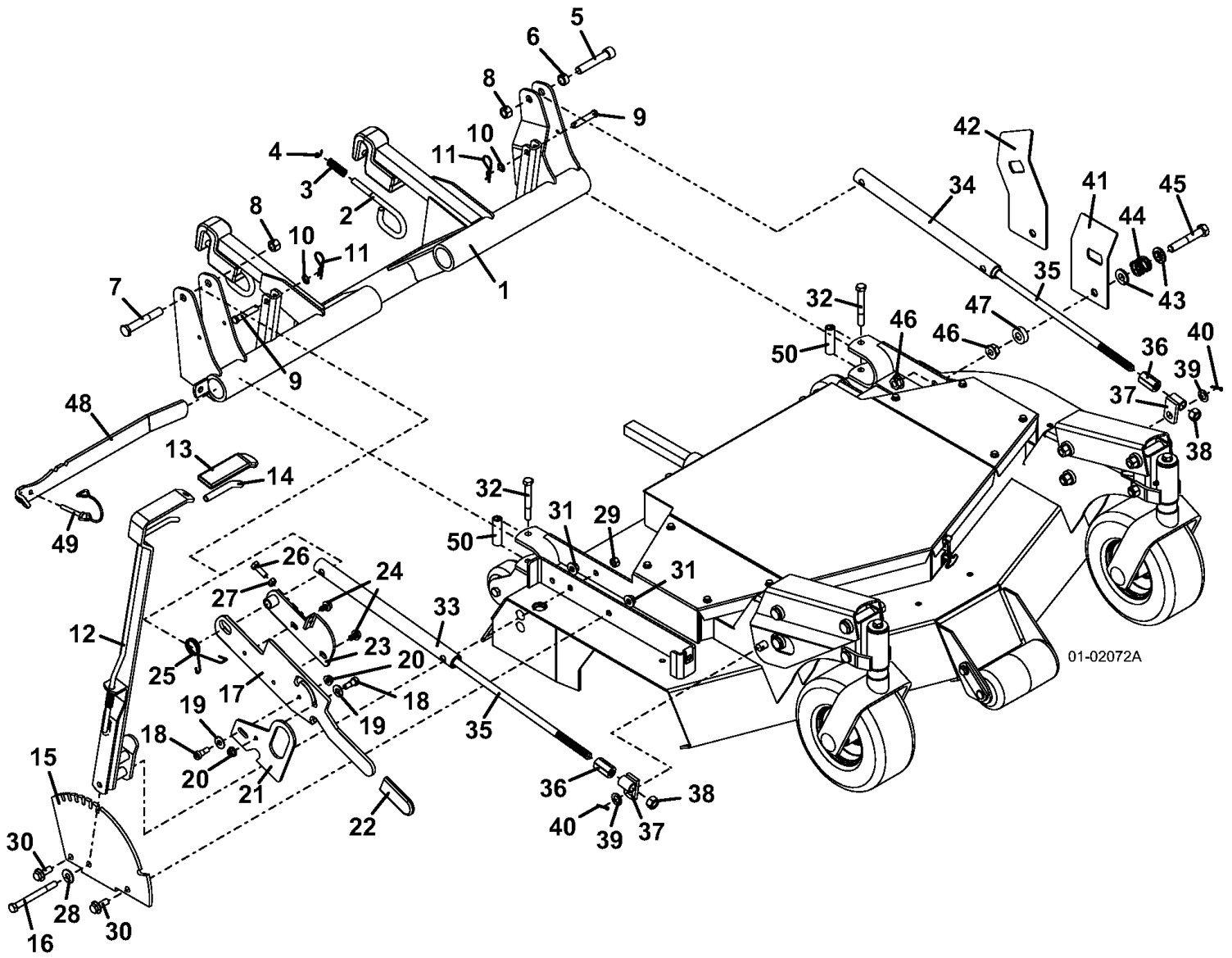
RIGHT

Title: QUIK PARTS
Heading: DECKS
Model: 3344-3348
Year: 2009
Assembly: BLADE SPINDLE ASSEMBLY - 3348

PARTS LIST

| | | |
|----|--------|--------------------------------|
| 1 | 623778 | SPINDLE ASSY - RT 3348 |
| 2 | 623779 | SPINDLE ASSY - LT 3348 |
| 3 | 623771 | SPINDLE ASSY - CENTER 3348 |
| 4 | 243331 | HEX BOLT |
| 5 | 257041 | WASHER - CUPPED |
| 6 | 257104 | WASHER |
| 7 | 110081 | BEARING - BALL 2 REG SEAL 25MM |
| 8 | 604412 | HOUSING ASSY - SPINDLE ALUM |
| 9 | 280745 | FITTING - GREASE (ZERK) |
| 10 | 247141 | BOLT - ROUND HEAD RIBBED NECK |
| 11 | 903645 | SPACER -BEARING-SHALLOW SPACER |
| 12 | 604768 | SPINDLE SHAFT ASSY |
| 13 | 282630 | SPACER |
| 14 | 257107 | WASHER |
| 15 | 721167 | SHIELD - BEARING |
| 16 | 421200 | WASHER - FIBER |
| 17 | 257061 | WASHER |
| 18 | 257057 | WASHER- HARDENED-BLADE SPINDLE |
| 19 | 243581 | HEX BOLT |
| 20 | 280705 | PLUG - RELIEF |
| 21 | 604764 | SPINDLE SHAFT - ASSY 25MM 4.75 |
| 22 | 414696 | SHEAVE |
| 23 | 414685 | SHEAVE |
| 24 | 281580 | KEY SQUARE |
| 25 | 253035 | NUT - WHIZ |

Title: QUIK PARTS
Heading: DECKS
Model: 3344-3348
Year: 2009
Assembly: LIFT ARM AND LINKAGE ASSEMBLY



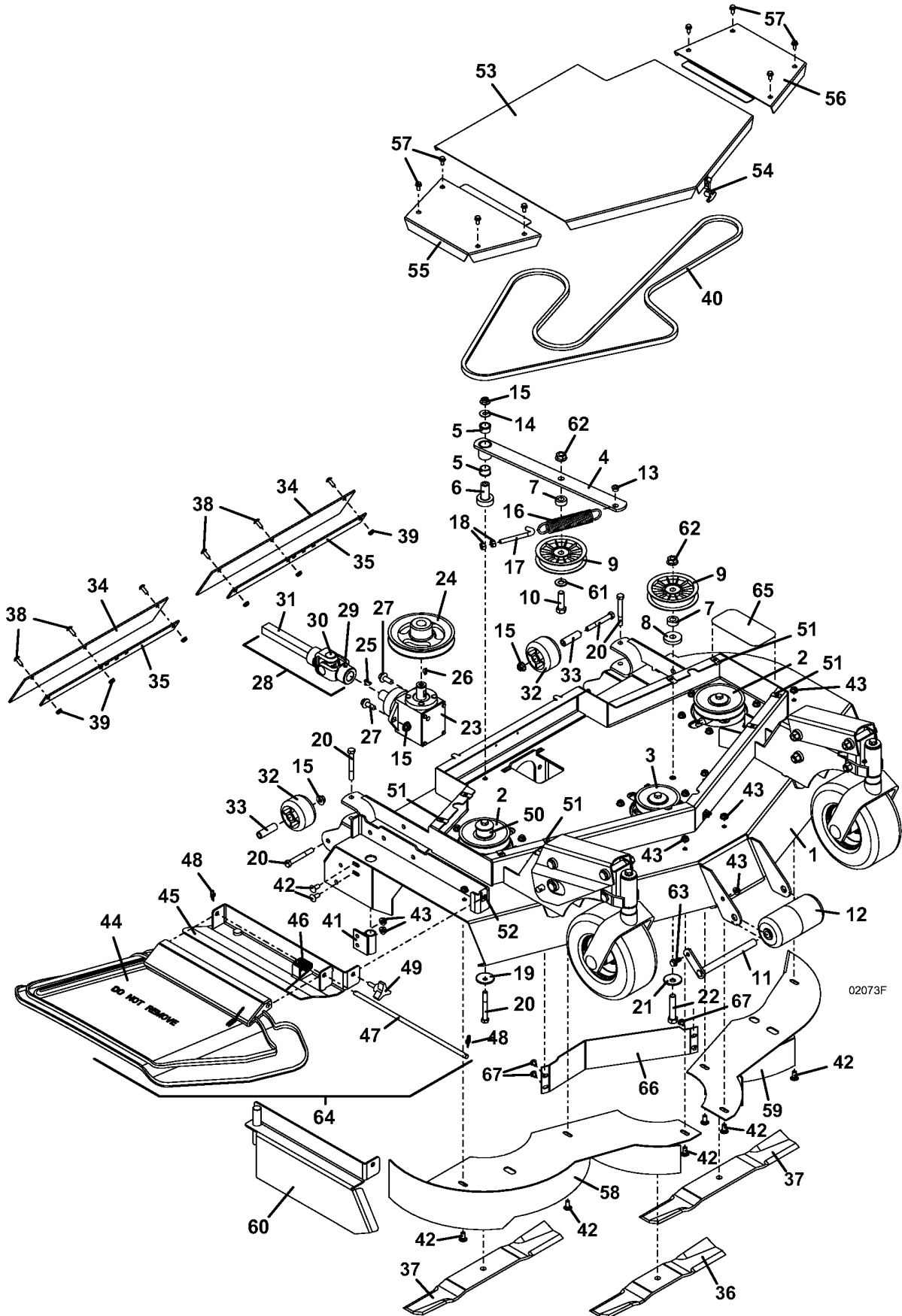
Title: QUIK PARTS
Heading: DECKS
Model: 3344-3348
Year: 2009
Assembly: LIFT ARM AND LINKAGE ASSEMBLY

PARTS LIST

| | | |
|----|--------|--------------------------------|
| 1 | 604543 | LIFT ARM ASSY - 3344 |
| 1 | 604546 | LIFT ARM ASSY - 3348 |
| 2 | 730433 | LATCH PIN - DECK MOUNT |
| 3 | 283285 | SPRING - COMPRESSION |
| 4 | 263490 | RETAINER EXTERNAL |
| 5 | 259640 | SCREW - SOCKET HEAD |
| 6 | 902282 | SPACER - ACTUATOR STOP |
| 7 | 243609 | HEX BOLT |
| 8 | 253930 | NUT - LOCK |
| 9 | 261362 | CLEVIS PIN |
| 10 | 262950 | RETAINER PUSH-ON |
| 11 | 260523 | HAIR PIN |
| 12 | 644475 | DECK LIFT LEVER - 33 SERIES |
| 13 | 422155 | GRIP - HANDLE |
| 14 | 422158 | GRIP - HANDLE |
| 15 | 726037 | LEVER MOUNT - L48 |
| 15 | 162188 | DECAL- CUTTING HT-33/34 SERIES |
| 16 | 243385 | HEX BOLT |
| 17 | 824174 | CONNECTING ARM - 33S LIFT F/A |
| 18 | 259722 | BOLT SHOULDER |
| 19 | 257030 | WASHER |
| 20 | 253035 | NUT - WHIZ |
| 21 | 783063 | LATCH - CONNECTING ARM L48 |
| 22 | 422153 | GRIP - HANDLE BLACK |
| 23 | 824566 | BRACKET-LIFT LINKAGE ADJUSTMNT |
| 24 | 253189 | BOLT WHIZ |
| 25 | 284423 | SPRING - TORSION |
| 26 | 243205 | HEX BOLT |
| 27 | 254440 | NUT |
| 28 | 257040 | WASHER |
| 29 | 253890 | NUT - LOCK |
| 30 | 253203 | BOLT WHIZ FLANGE |
| 31 | 253043 | NUT - WHIZ |
| 32 | 243365 | HEX BOLT |
| 32 | 253890 | NUT - LOCK |
| 33 | 644448 | LIFT TUBE - 3344 RIGHT |
| 33 | 644455 | LIFT TUBE - 3348 RT |
| 34 | 644449 | LIFT TUBE - 3344 LEFT |
| 34 | 644456 | LIFT TUBE - 3348 LT |
| 35 | 243670 | ROUND HEAD BOLT |

| | | |
|----|--------|--------------------------------|
| 36 | 321185 | SLEEVE NUT - HEIGHT ADJUSTMENT |
| 37 | 644072 | BRACKET - LIFTROD - 33 SERIES |
| 38 | 254470 | NUT |
| 39 | 257063 | WASHER |
| 40 | 260650 | COTTER PIN |
| 41 | 729169 | DECK LATCH - L48 |
| 42 | 729231 | LATCH - DECK 33S W/BLOWER |
| 43 | 257067 | WASHER |
| 44 | 283332 | SPRING - COMPRESSION |
| 45 | 243600 | HEX BOLT |
| 46 | 253067 | NUT - FLANGE SPIRAL LOC |
| 47 | 902292 | SPACER - TILT LATCH |
| 48 | 783068 | TRACTION KIT TOOL - L48 |
| 49 | 261624 | LINCH PIN |
| 50 | 902284 | SPACER - ROLLER MOUNT |

Title: QUIK PARTS
Heading: DECKS
Model: 3344-3348
Year: 2009
Assembly: MOWER ASSEMBLY - 3348



02073F

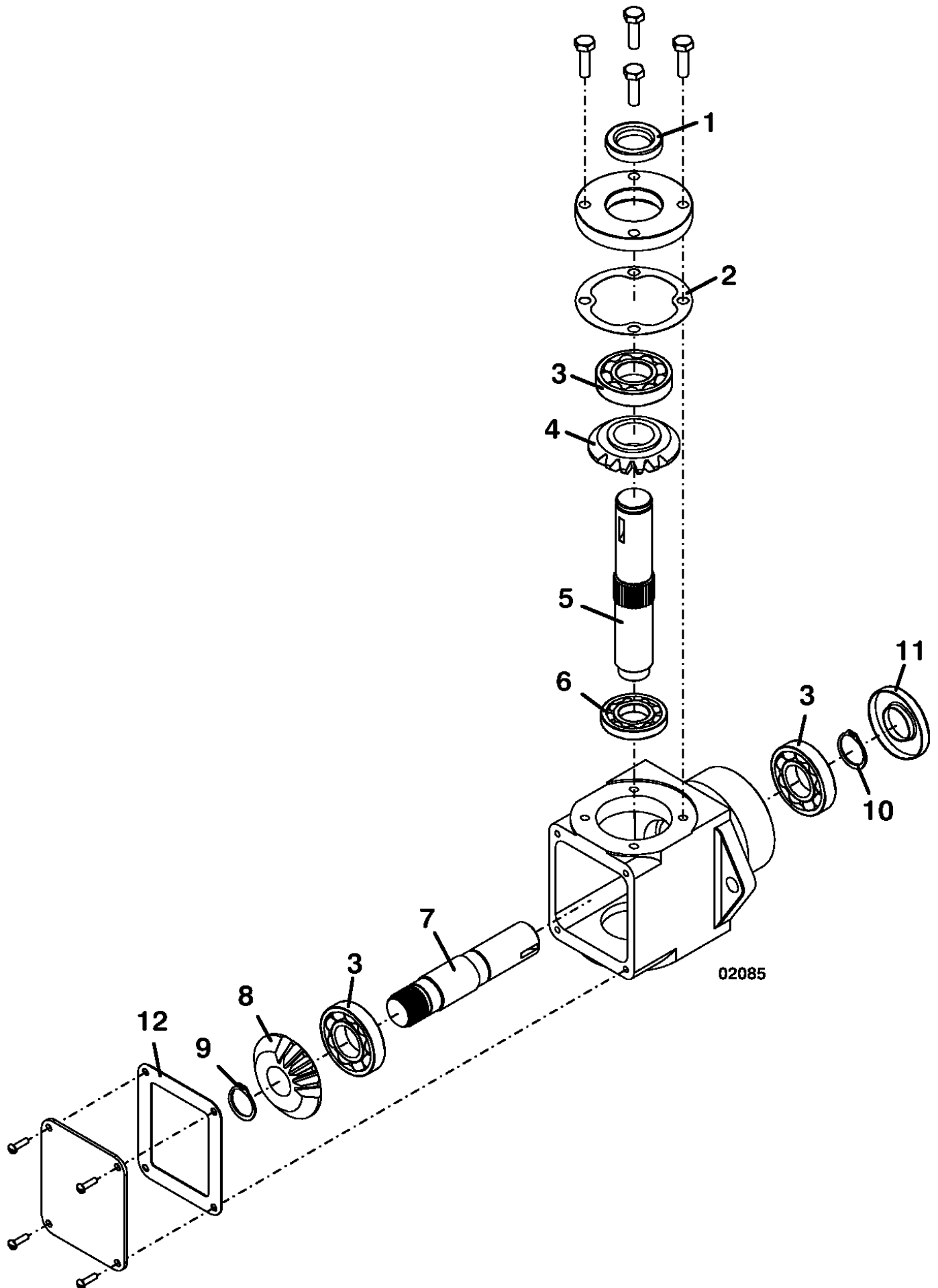
Title: QUIK PARTS
Heading: DECKS
Model: 3344-3348
Year: 2009
Assembly: MOWER ASSEMBLY - 3348

PARTS LIST

| | | |
|----|--------|------------------------------|
| 1 | 643994 | DECK WELDMENT - 3348 |
| 2 | 414696 | SHEAVE |
| 3 | 414685 | SHEAVE |
| 4 | 824481 | IDLER ARM - 3348 F/A |
| 5 | 121756 | BEARING - OILITE |
| 6 | 121650 | BEARING - PEDESTAL |
| 7 | 902313 | SPACER |
| 8 | 883804 | WASHER |
| 9 | 393225 | IDLER |
| 10 | 243575 | HEX BOLT |
| 11 | 644512 | LOCK PIN - ROLLER |
| 12 | 603725 | ROLLER ASSY - CENTER 2 PIECE |
| 13 | 422520 | NYLON BEARING |
| 14 | 257040 | WASHER |
| 15 | 253043 | NUT - WHIZ |
| 16 | 283848 | SPRING - EXTENSION |
| 17 | 730391 | J BOLT - IDLER ADJUSTMENT |
| 18 | 254450 | NUT |
| 19 | 257041 | WASHER - CUPPED |
| 20 | 243365 | HEX BOLT |
| 21 | 257059 | WASHER |
| 22 | 243590 | HEX BOLT |
| 23 | 390021 | GEARBOX - RT ANGLE CCW |
| 24 | 415885 | SHEAVE |
| 25 | 281828 | KEY WOODRUFF |
| 26 | 281833 | KEY WOODRUFF |
| 27 | 253203 | BOLT WHIZ FLANGE |
| 28 | 398525 | UN HALF SHAFT |
| 29 | 401010 | YOKE |
| 30 | 121010 | CROSS & BEARING |
| 31 | 402605 | YOKE & SHAFT |
| 32 | 426122 | ROLLER |
| 33 | 902284 | SPACER - ROLLER MOUNT |
| 34 | 424200 | FLAP DECK - 9648 RIGHT |
| 35 | 774219 | STRAP - DEFLECTOR RT |
| 36 | 320234 | BLADE - 15 HI-LIFT NOTCH |
| 36 | 320231 | BLADE - 15 MED LIFT |
| 36 | 320233 | BLADE - 15 CONTOUR |
| 36 | 320235 | BLADE - 15 HI-LOW MULCH |
| 37 | 320239 | BLADE - 18 HI-LIFT NOTCH |

| | | |
|----|--------|--------------------------------|
| 37 | 320236 | BLADE - 18 MED LIFT |
| 37 | 320238 | BLADE - 18 CONTOUR |
| 37 | 320240 | BLADE - 18 HI-LOW MULCH |
| 38 | 253179 | BOLT WHIZ PHIL TRUSS |
| 39 | 253025 | NUT - WHIZ |
| 40 | 383011 | BELT |
| 41 | 643632 | MOUNT - PIVOT VAC HOUSING |
| 42 | 247130 | CARRIAGE BOLT |
| 43 | 253035 | NUT - WHIZ |
| 44 | 422042 | SHIELD - FLEX DISCHARGE |
| 45 | 644567 | MOUNT - DISCHARGE SHIELD 33S |
| 46 | 284406 | SPRING - TORSION |
| 47 | 780650 | PIN - FLEX DISCHARGE SHIELD |
| 48 | 260608 | RING COTTER |
| 49 | 252821 | STUD - 3 PRONG HD - DECK |
| 50 | 282630 | SPACER |
| 51 | 254431 | NUT - SPEED |
| 52 | 254448 | NUT - SPEED |
| 53 | 604748 | SHIELD ASSY - 3348 CENTER |
| 54 | 281300 | LATCH - RUBBER DRAW |
| 55 | 722364 | SHIELD - BELT L48 RT |
| 56 | 722389 | SHIELD - BELT - L48 LT |
| 57 | 253175 | BOLT WHIZ HEX |
| 58 | 644603 | MULCH PLATE - 3348 RT |
| 59 | 644604 | MULCH PLATE - 3348 LT |
| 60 | 644175 | END CAP - MULCH 3344/48 |
| 61 | 257062 | WASHER |
| 62 | 253067 | NUT - FLANGE SPIRAL LOC |
| 63 | 253192 | BOLT WHIZ HEX FLANGE |
| 64 | 604318 | DSCHRG SHIELD ASSY FLEX3344/48 |
| 65 | 420901 | TREAD - STEP |
| 66 | 724518 | AUX. FRONT SHROUD - 48 |
| 67 | 253176 | BOLT WHIZ TRUSS |
| 68 | 603279 | DECAL SET - 33 SERIES DECK |

Title: QUIK PARTS
Heading: DECKS
Model: 3344-3348
Year: 2009
Assembly: RIGHT ANGLE GEARBOX ASSEMBLY

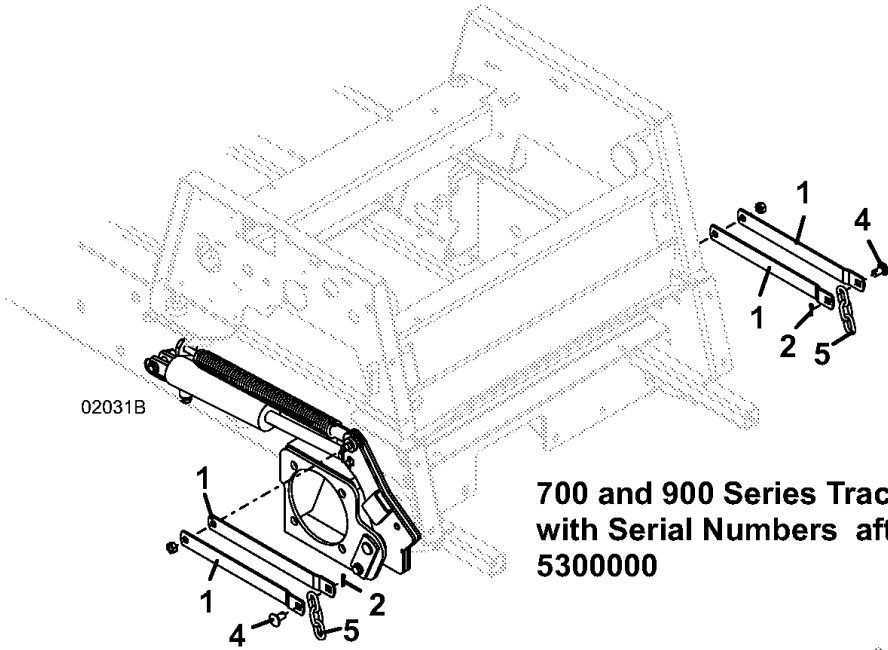


Title: QUIK PARTS
Heading: DECKS
Model: 3344-3348
Year: 2009
Assembly: RIGHT ANGLE GEARBOX ASSEMBLY

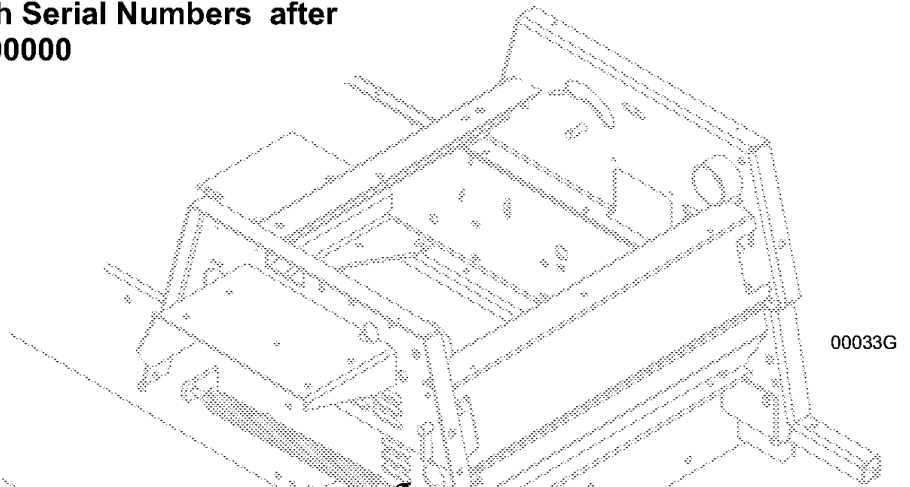
PARTS LIST

| | | |
|-----------|---------------|--------------------------------------|
| 1 | 125336 | SEAL |
| 2 | 420201 | GASKET - CAP GEARBOX |
| 3 | 120071 | BEARING - BALL |
| 4 | 392501 | GEAR - BEVEL - 8 PITCH - .995 |
| 5 | 393517 | SHAFT 1.000 |
| 6 | 120065 | BEARING - BALL |
| 7 | 393513 | SHAFT .875 |
| 8 | 392500 | GEAR - BEVEL - 8 PITCH - .865 |
| 9 | 263530 | RETAINER EXTERNAL |
| 10 | 263540 | RETAINER EXTERNAL |
| 11 | 125339 | SEAL |
| 12 | 420200 | GASKET - COVER GEARBOX |

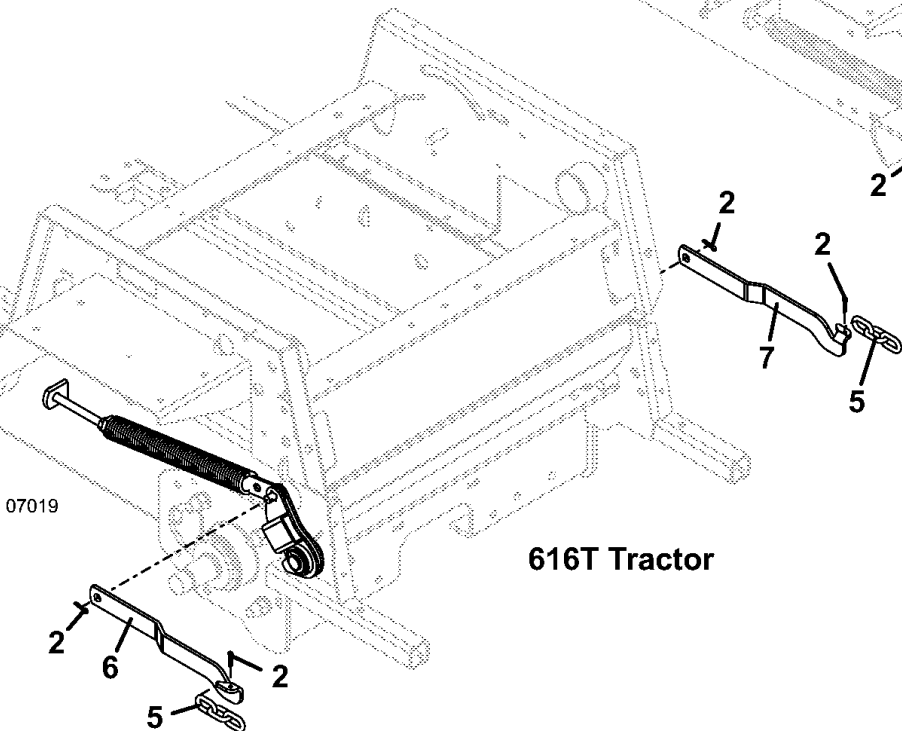
Title: QUIK PARTS
Heading: DECKS
Model: 3344-3348
Year: 2009
Assembly: TRACTION KIT ADAPTER



**700 and 900 Series Tractors
with Serial Numbers after
5300000**



620T Tractor



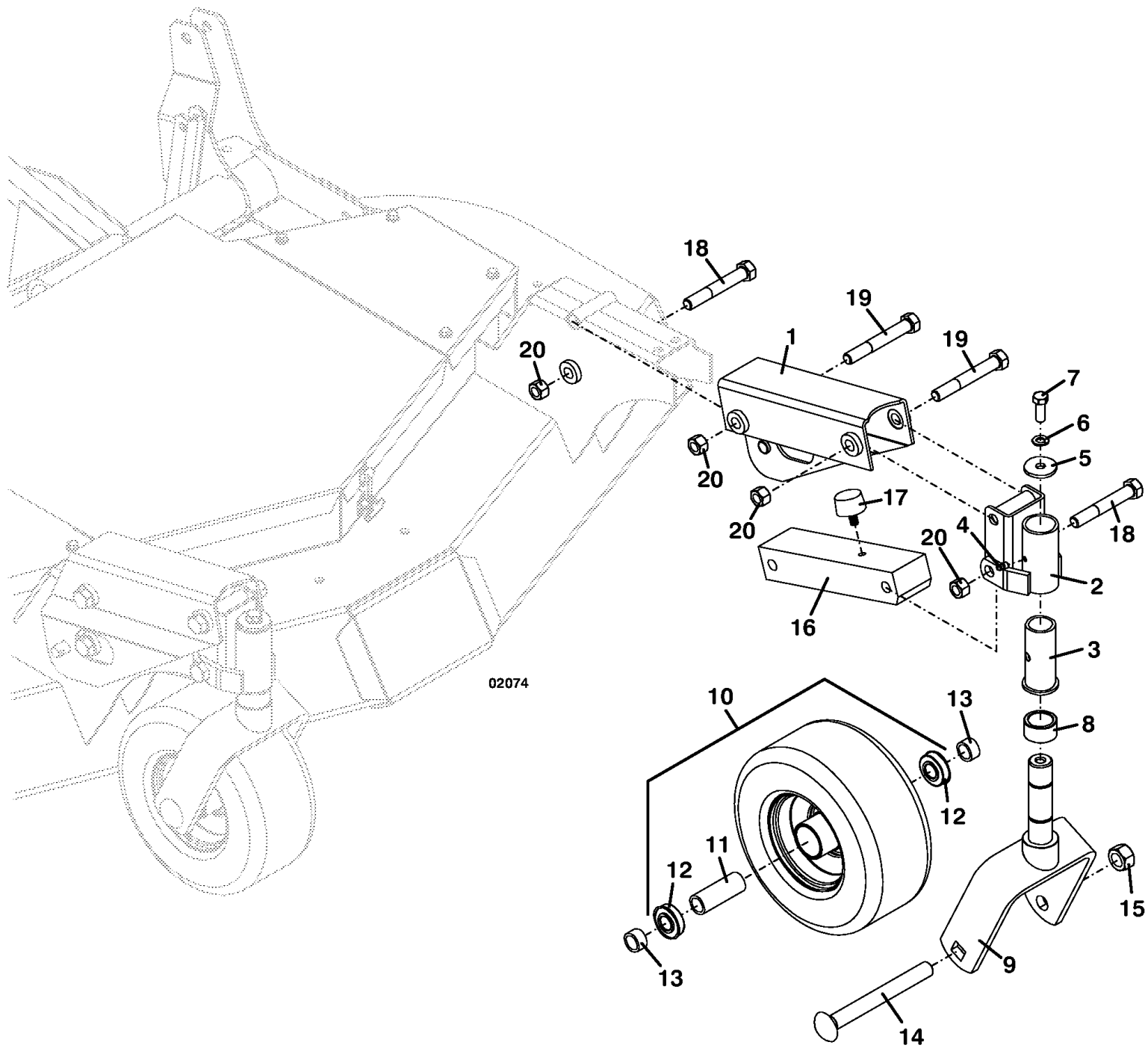
616T Tractor

Title: QUIK PARTS
Heading: DECKS
Model: 3344-3348
Year: 2009
Assembly: TRACTION KIT ADAPTER

PARTS LIST

| | | |
|----------|---------------|-----------------------------------|
| 1 | 732410 | STRAP - LIFT 600 W/SL DECK |
| 2 | 260648 | COTTER PIN |
| 3 | 261339 | CLEVIS PIN |
| 4 | 261336 | CLEVIS PIN |
| 5 | 820317 | CHAIN - LIFT 3 LINKS |
| 6 | 725492 | STRAP - LIFT - 616T RT |
| 7 | 725493 | STRAP - LIFT - 616T LT |

Title: QUIK PARTS
Heading: DECKS
Model: 3344-3348
Year: 2009
Assembly: WHEEL LIFT ASSEMBLY



Title: QUIK PARTS
Heading: DECKS
Model: 3344-3348
Year: 2009
Assembly: WHEEL LIFT ASSEMBLY

PARTS LIST

| | | |
|----|--------|------------------------------|
| 1 | 644461 | LIFT CHANNEL-33/34 SERIES RT |
| 1 | 644462 | LIFT CHANNEL-33/34 SERIES LT |
| 2 | 603351 | FORK MOUNT W/BEARING RT. |
| 2 | 603352 | FORK MOUNT W/BEARING LT. |
| 3 | 833260 | BUSHING - FLANGED SINTERED |
| 4 | 280776 | FITTING - GREASE (ZERK) |
| 5 | 774014 | WASHER |
| 6 | 257412 | WASHER - LOCK |
| 7 | 243331 | HEX BOLT |
| 8 | 902541 | SPACER |
| 9 | 604350 | FORK - DECK 90 SERIES |
| 9 | 425514 | O-RING |
| 10 | 603971 | WHEEL ASSY - 4 SEMI-PNEU |
| 11 | 902473 | SPACER - DECK WHEEL BRG |
| 12 | 120050 | BEARING - BALL |
| 13 | 902415 | SPACER - AXLE |
| 14 | 247715 | CARRIAGE BOLT |
| 15 | 253970 | NUT - LOCK |
| 16 | 822312 | STABILIZER W/BUMPER - DECK |
| 17 | 424053 | RUBBER BUMPER |
| 18 | 243609 | HEX BOLT |
| 19 | 243614 | HEX BOLT |
| 20 | 253930 | NUT - LOCK |