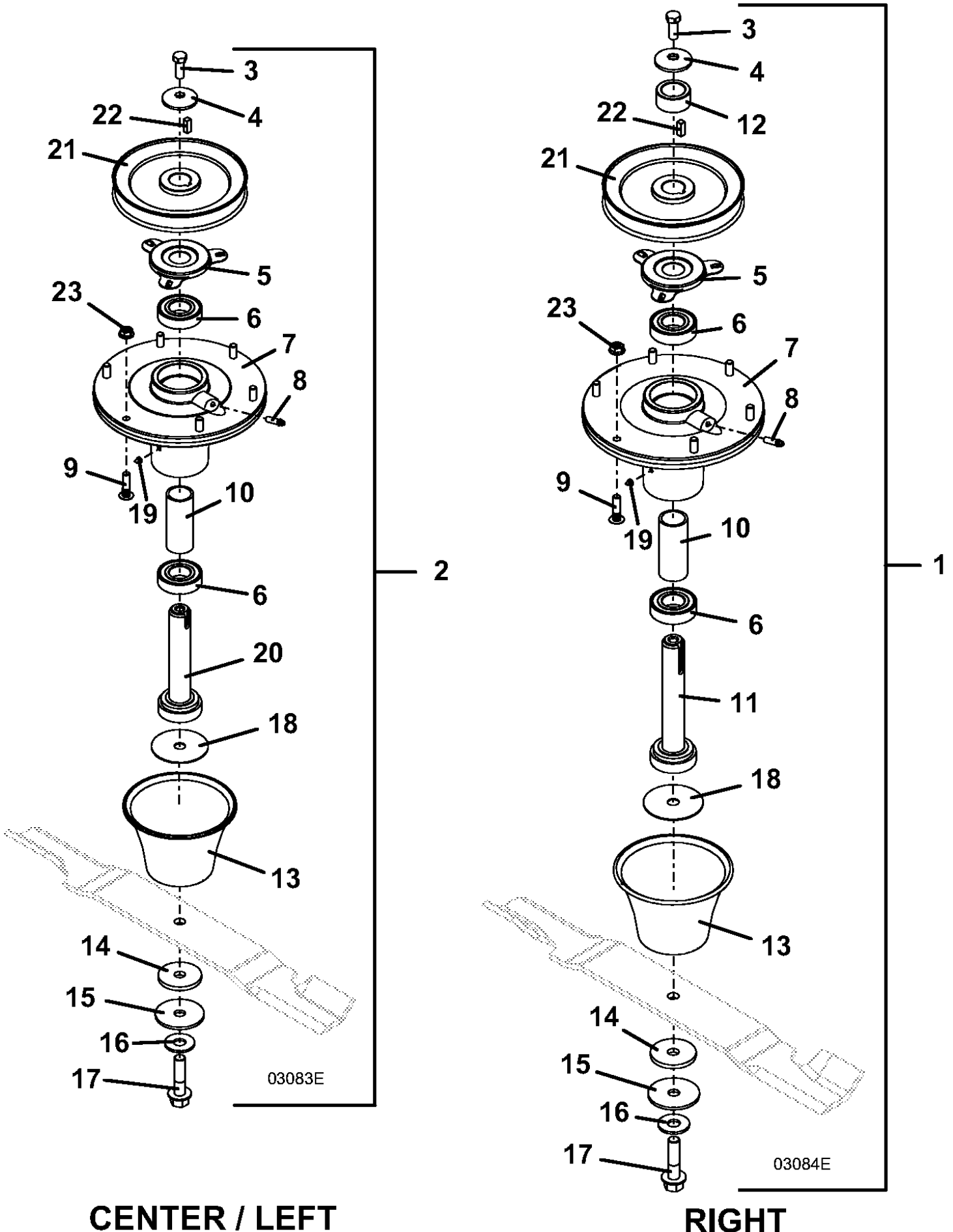


Title: QUIK PARTS
 Heading: DECKS
 Model: 3452-3461
 Year: 2010
 Assembly: BLADE SPINDLE ASSEMBLY



CENTER / LEFT

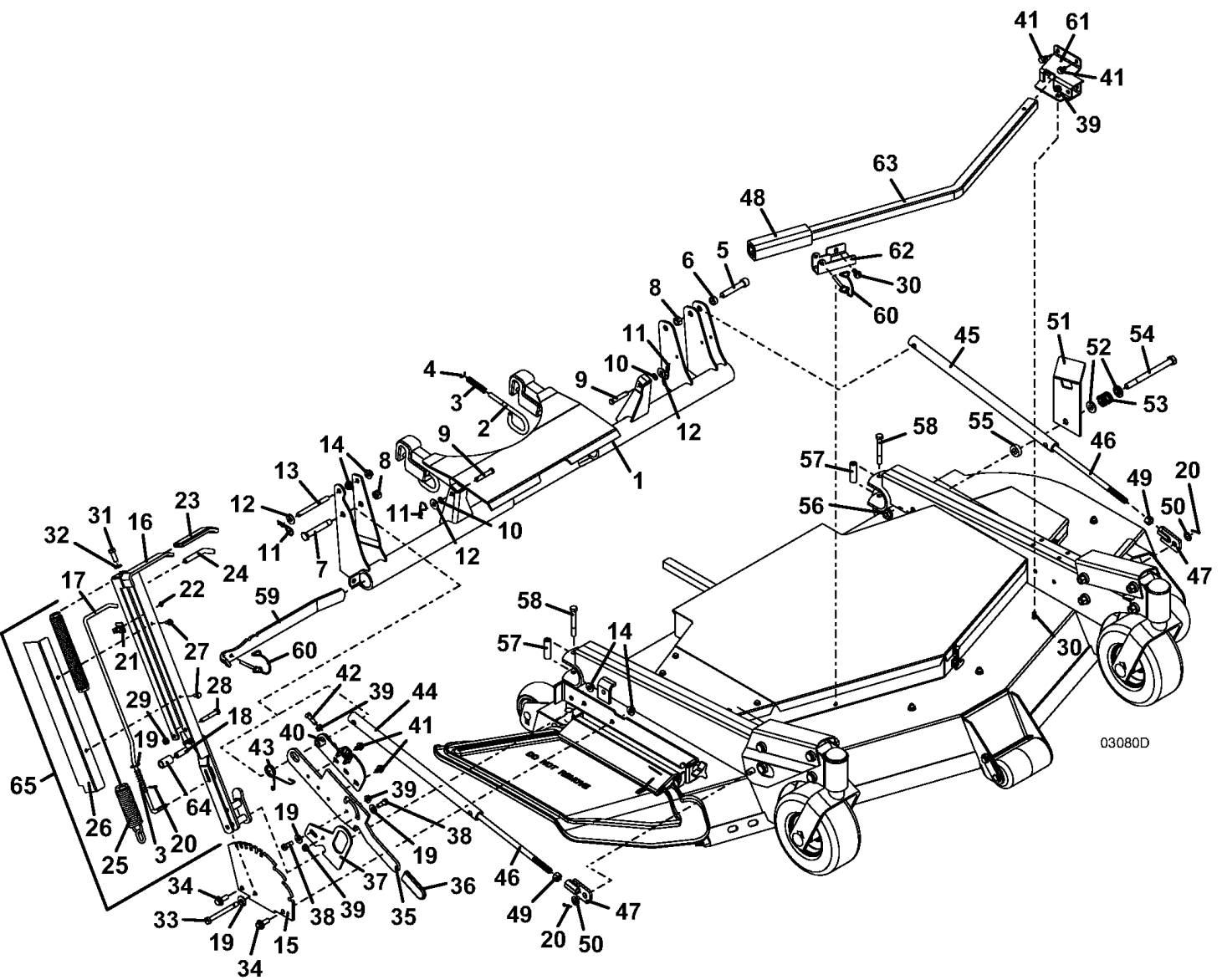
RIGHT

Title: QUIK PARTS
Heading: DECKS
Model: 3452-3461
Year: 2010
Assembly: BLADE SPINDLE ASSEMBLY

PARTS LIST

1	623762	SPINDLE ASSY
2	623763	SPINDLE ASSY
3	243331	HEX BOLT
4	257041	WASHER - CUPPED
5	721167	SHIELD - BEARING
6	110081	BEARING - BALL 2 REG SEAL 25MM
7	604413	HOUSING ASSY - SPINDLE ALUM
8	280745	FITTING - GREASE (ZERK)
9	247141	BOLT - ROUND HEAD RIBBED NECK
10	903643	SPACER - BEARING DEEP SPINDLE
11	604774	SPINDLE SHAFT ASSY 98S
12	282630	SPACER
13	423680	DEFLECTOR CONE
14	421200	WASHER - FIBER
15	257061	WASHER
16	257057	WASHER- HARDENED-BLADE SPINDLE
17	243583	HEX BOLT GR 8 FL
18	772061	WASHER
19	280705	PLUG - RELIEF
20	604775	SPINDLE SHAFT ASSY 5.75
21	415892	SHEAVE
22	281580	KEY SQUARE
23	253035	NUT - WHIZ

Title: QUIK PARTS
Heading: DECKS
Model: 3452-3461
Year: 2010
Assembly: LIFT ARM AND LINKAGE



Title: QUIK PARTS
Heading: DECKS
Model: 3452-3461
Year: 2010
Assembly: LIFT ARM AND LINKAGE

PARTS LIST

1	604547	LIFT ARM ASSY - 3452
1	604549	LIFT ARM ASSY - 3461
2	730433	LATCH PIN - DECK MOUNT
3	283285	SPRING - COMPRESSION
4	263490	RETAINER EXTERNAL
5	259640	SCREW - SOCKET HEAD
6	902282	SPACER - ACTUATOR STOP
7	243609	HEX BOLT
8	253930	NUT - LOCK
9	261362	CLEVIS PIN
10	262950	RETAINER PUSH-ON
11	260523	HAIR PIN
12	257040	WASHER
13	830037	STUD - DRILLED
14	253043	NUT - WHIZ
15	726036	LEVER MOUNT - 3461
15	162188	DECAL- CUTTING HT-33/34 SERIES
16	824578	LIFT LEVER - 3452/61
17	730375	ROD - ASSIST LEVER
18	902273	SLEEVE - LIFT LEVER BOLT
19	257030	WASHER
20	260650	COTTER PIN
21	423110	RETAINER - ROD
22	252041	SCREW #8
23	422155	GRIP - HANDLE
24	422158	GRIP - HANDLE
25	604518	SPRING ASSEMBLY - LIFT ASSIST
26	722716	SHIELD - SPRING ASSIST LEVER
27	253173	BOLT WHIZ HEX
28	243225	HEX BOLT
29	253450	NUT - INSERT-NYLON
30	253192	BOLT WHIZ HEX FLANGE
31	243330	HEX BOLT
32	257412	WASHER - LOCK
33	243380	HEX BOLT W/ SHANK
34	253203	BOLT WHIZ FLANGE
35	824174	CONNECTING ARM - 33S LIFT F/A
36	422153	GRIP - HANDLE BLACK
37	783063	LATCH - CONNECTING ARM L48
38	259722	BOLT SHOULDER

39	253035	NUT - WHIZ
40	824566	BRACKET-LIFT LINKAGE ADJUSTMNT
41	253189	BOLT WHIZ
42	243205	HEX BOLT
43	284423	SPRING - TORSION
44	644472	LIFT LINKAGE - 3452 RT
44	644547	LIFT LINKAGE TUBE 3452LT/61RT
45	644547	LIFT LINKAGE TUBE 3452LT/61RT
45	644548	LIFT LINKAGE TUBE 3461 LT
46	243667	ROUND HEAD BOLT - 3452/61
46	604522	LINKAGE BOLT ASSY - 3452/61
47	644068	BRACKET - LIFT ROD
48	422177	GRIP - FOAM
49	254470	NUT
50	257063	WASHER
51	729237	LATCH - DECK 3452/61
52	257067	WASHER
53	283332	SPRING - COMPRESSION
54	243640	HEX BOLT
55	902292	SPACER - TILT LATCH
56	253067	NUT - FLANGE SPIRAL LOC
57	902284	SPACER - ROLLER MOUNT
58	243365	HEX BOLT
58	253890	NUT - LOCK
59	783068	TRACTION KIT TOOL - L48
60	261624	LINCH PIN
61	644060	BRACKET - LIFT ASSIST BAR
62	729330	MOUNT BRACKET - LIFT BAR
63	944050	LIFT BAR - 3452
63	944055	LIFT BAR - 3461
64	942158	OUTER SLEEVE - LIFT LEVER BOLT
65	606521	LIFT LEVER ASSEMBLY -3452/61

Title: QUIK PARTS
 Heading: DECKS
 Model: 3452-3461
 Year: 2010
 Assembly: LIFT ARM W/ OPT ELEC POWERFOLD ACTUATOR

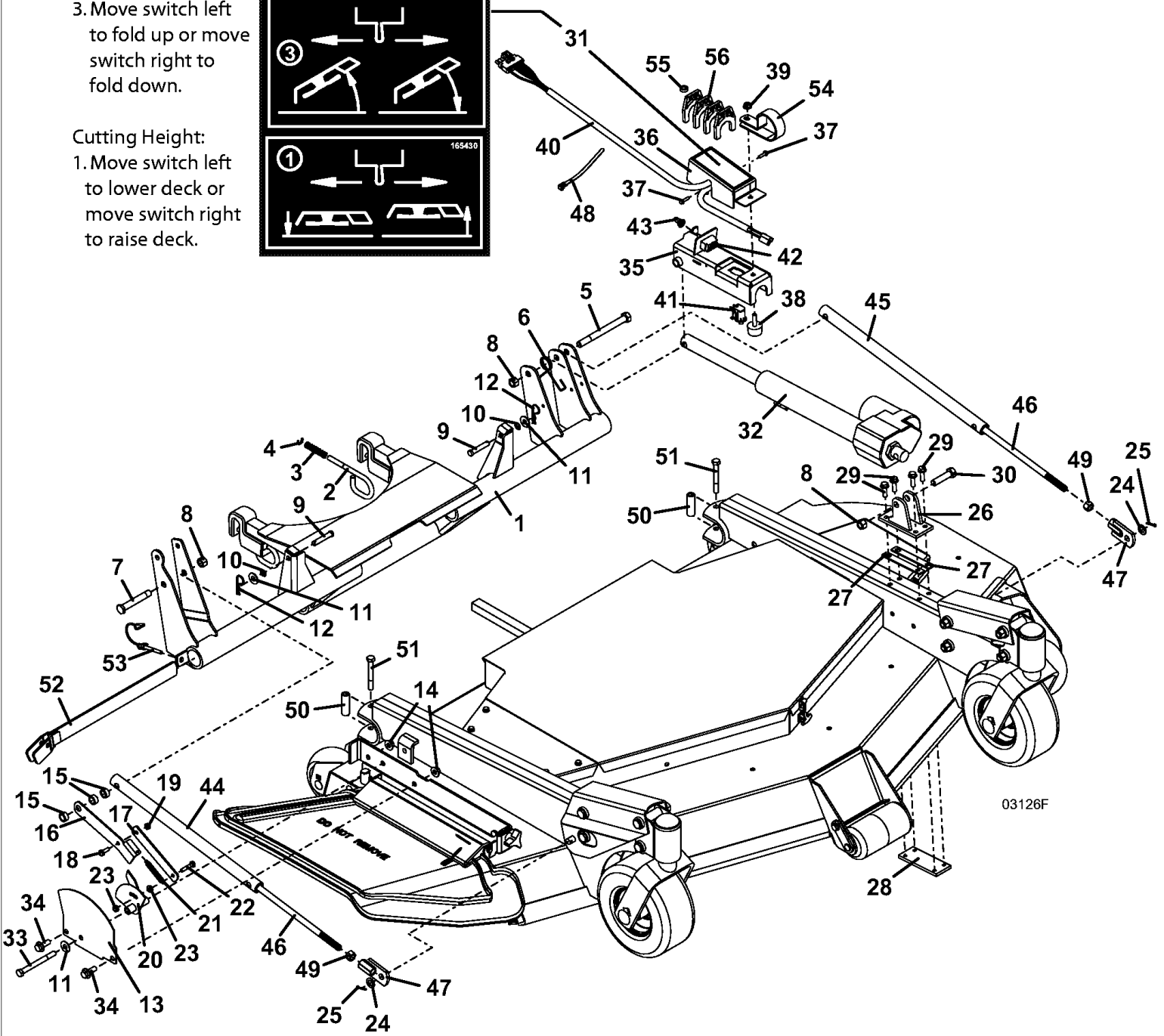
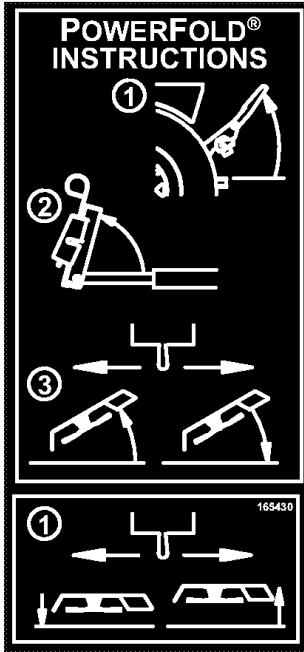
**POWERFOLD®
 Instructions**

Fold Deck:

1. Raise foot rest to upright locked position.
2. Rotate and hold control box in vertical position.
3. Move switch left to fold up or move switch right to fold down.

Cutting Height:

1. Move switch left to lower deck or move switch right to raise deck.



03126F

Title: QUIK PARTS

Heading: DECKS

Model: 3452-3461

Year: 2010

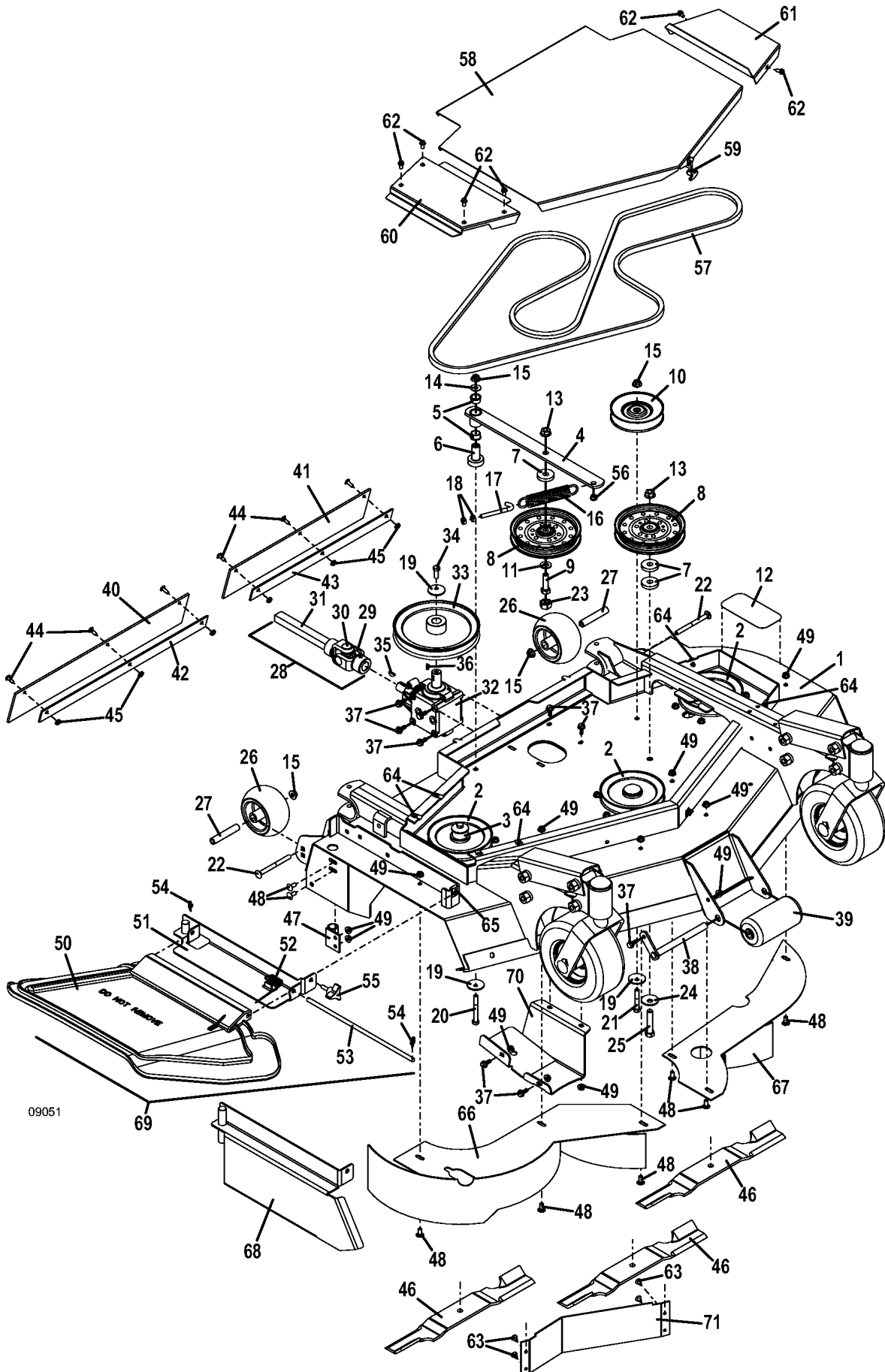
Assembly: LIFT ARM W/ OPT ELEC POWERFOLD ACTUATOR

PARTS LIST

1	604547	LIFT ARM ASSY - 3452
1	604549	LIFT ARM ASSY - 3461
2	730433	LATCH PIN - DECK MOUNT
3	283285	SPRING - COMPRESSION
4	263490	RETAINER EXTERNAL
5	243635	HEX BOLT
6	284423	SPRING - TORSION
7	243609	HEX BOLT
8	253930	NUT - LOCK
9	261362	CLEVIS PIN
10	262950	RETAINER PUSH-ON
11	257040	WASHER
12	260523	HAIR PIN
13	773141	PLATE - CUTTING HEIGHT DECAL
13	162188	DECAL- CUTTING HT-33/34 SERIES
14	253043	NUT - WHIZ
15	902282	SPACER - ACTUATOR STOP
16	729332	LINKAGE-INDICATOR ELEC LIFT
17	729331	STRAP-INDICATOR ELECTRIC LIFT
18	243018	HEX BOLT
19	253440	NUT - INSERT-NYLON
20	644319	HEIGHT INDICATOR - E/LIFT
21	283762	SPRING - EXTENSION
22	243030	HEX BOLT
23	253025	NUT - WHIZ
24	257063	WASHER
25	260650	COTTER PIN
26	644056	ACTUATOR MOUNT - 34 E/LIFT
27	900142	SPACER-E/LIFT ACTUATOR MOUNT
28	776089	THREADED PLATE - 34 ACTUATOR
29	253193	BOLT WHIZ HEX FLANGE
30	243580	HEX BOLT
31	165430	DECAL - PICTORIAL POWERFOLD
32	180035	ACTUATOR 12V
32	182540	MOTOR - ELECTRIC
33	243380	HEX BOLT W/ SHANK
34	253203	BOLT WHIZ FLANGE
35	644805	MOUNT - ELECTRIC LIFT SWITCH
36	722005	SHIELD-SWITCH MOUNT ELEC LIFT
37	250169	MACHINE SCREW -HEX

38	424056	BUMPER - W/STUD
39	253035	NUT - WHIZ
40	605965	WIRING ASSY DECK TILT/HGT ADJ
41	183867	SWITCH-SNAP MT PLUNGER SPST NC
42	184084	TOGGLE
42	425200	BOOT - TOGGLE SWITCH
42	770005	WASHER - KEYED
43	425200	BOOT - TOGGLE SWITCH
44	644472	LIFT LINKAGE - 3452 RT
44	644547	LIFT LINKAGE TUBE 3452LT/61RT
45	644547	LIFT LINKAGE TUBE 3452LT/61RT
45	644548	LIFT LINKAGE TUBE 3461 LT
46	243667	ROUND HEAD BOLT - 3452/61
47	644068	BRACKET - LIFT ROD
48	423149	WIRE TIE - RELEASABLE
49	254470	NUT
50	902284	SPACER - ROLLER MOUNT
51	243365	HEX BOLT
51	253890	NUT - LOCK
52	643860	OFFSET TRACTION KIT TOOL
52	783068	TRACTION KIT TOOL - L48
53	261624	LINCH PIN
54	732315	SPACER MOUNT-PWR FOLD HT ADJ
55	902297	SPACER - .25 THK
56	423697	SPACER - POWERFOLD HEIGHT ADJ

Title: QUIK PARTS
Heading: DECKS
Model: 3452-3461
Year: 2010
Assembly: MOWER ASSEMBLY - 3452



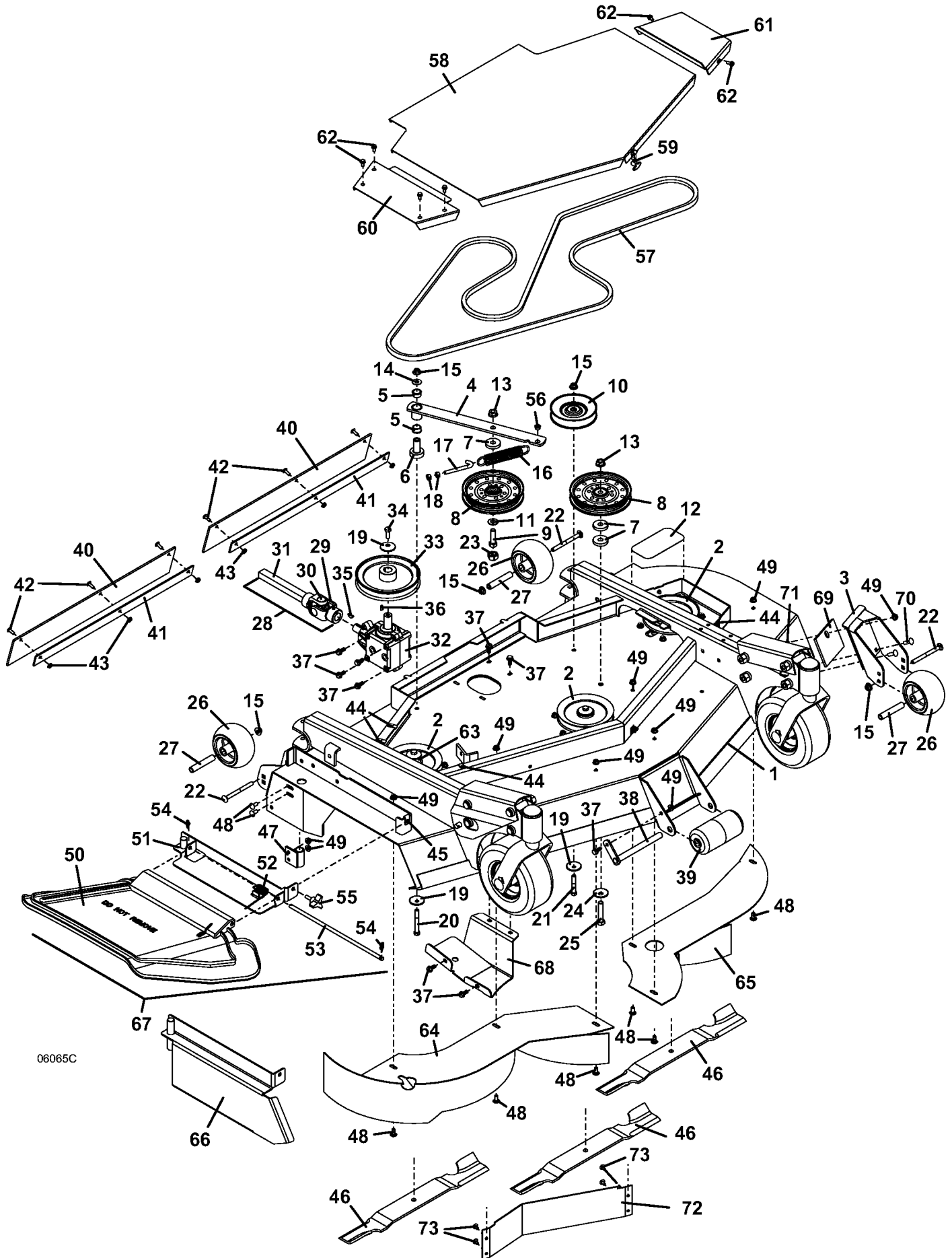
Title: QUIK PARTS
Heading: DECKS
Model: 3452-3461
Year: 2010
Assembly: MOWER ASSEMBLY - 3452

PARTS LIST

1	644493	DECK - 3452 09
2	415892	SHEAVE
3	282630	SPACER
4	824493	IDLER ARM - 3352 F/A
5	121756	BEARING - OILITE
6	121650	BEARING - PEDESTAL
7	883804	WASHER
8	393250	IDLER
9	243575	HEX BOLT
10	393376	IDLER
11	257062	WASHER
12	420901	TREAD - STEP
13	253067	NUT - FLANGE SPIRAL LOC
14	257040	WASHER
15	253043	NUT - WHIZ
16	283848	SPRING - EXTENSION
17	730391	J BOLT - IDLER ADJUSTMENT
18	254450	NUT
19	257041	WASHER - CUPPED
20	243365	HEX BOLT
21	243355	HEX BOLT
22	247310	CARRIAGE BOLT
23	423670	STABILIZER CAP - IDLER ARM
24	257059	WASHER
25	243590	HEX BOLT
26	484230	WHEEL - ANTI-SCALP CENTER HUB
27	942137	TUBE - BEARING
28	398528	UN HALF SHAFT
29	401010	YOKE
30	121010	CROSS & BEARING
31	402608	YOKE & SHAFT
32	390026	GEARBOX-R.ANG.875 CCW SUPERIOR
32	125391	SEAL
32	365541	PLUG - 1.5 INCH EXPANSION
33	415895	SHEAVE
34	243331	HEX BOLT
35	281833	KEY WOODRUFF
36	281828	KEY WOODRUFF
37	253192	BOLT WHIZ HEX FLANGE
38	644512	LOCK PIN - ROLLER

39	603725	ROLLER ASSY - CENTER 2 PIECE
40	424223	FLAP DECK - 3452 RT
41	424224	FLAP DECK - 3452 LT
42	782595	STRAP - REAR DEFLECTOR
43	774229	STRAP - REAR DEFLECTOR
44	253179	BOLT WHIZ PHIL TRUSS
45	253025	NUT - WHIZ
46	320239	BLADE - 18 HI-LIFT NOTCH
46	320236	BLADE - 18 MED LIFT
46	320238	BLADE - 18 CONTOUR
46	320240	BLADE - 18 HI-LOW MULCH
46	320241	BLADE - 18 EXTREME HI-LIFT
47	643632	MOUNT - PIVOT VAC HOUSING
48	247130	CARRIAGE BOLT
49	253035	NUT - WHIZ
50	422042	SHIELD - FLEX DISCHARGE
51	644570	MOUNT-DISCHARGE SHIELD
52	284406	SPRING - TORSION
53	780650	PIN - FLEX DISCHARGE SHIELD
54	260608	RING COTTER
55	252821	STUD - 3 PRONG HD - DECK
56	422520	NYLON BEARING
57	382084	BELT
58	604742	SHIELD ASSY - 3452 CENTER
59	281300	LATCH - RUBBER DRAW
60	722702	SHIELD - BELT 3452 RIGHT
61	722703	SHIELD - BELT 3452 LEFT
62	253173	BOLT WHIZ HEX
63	253176	BOLT WHIZ TRUSS
64	254431	NUT - SPEED
65	254448	NUT - SPEED
66	644608	MULCH PLATE - M1 52 RT
67	644609	MULCH PLATE - M1 52 LEFT
68	644058	END CAP - MULCH 3452/61/72
69	604317	DISCHARGE SHIELD ASSY - FLEX
70	729484	SHIELD - SUPR GEARBOX 3452
71	724588	AUX FRONT SHROUD - M1/3452
72	603283	DECAL SET - 34 SERIES DECK

Title: QUIK PARTS
Heading: DECKS
Model: 3452-3461
Year: 2010
Assembly: MOWER ASSEMBLY - 3461



06065C

Title: QUIK PARTS
Heading: DECKS
Model: 3452-3461
Year: 2010
Assembly: MOWER ASSEMBLY - 3461

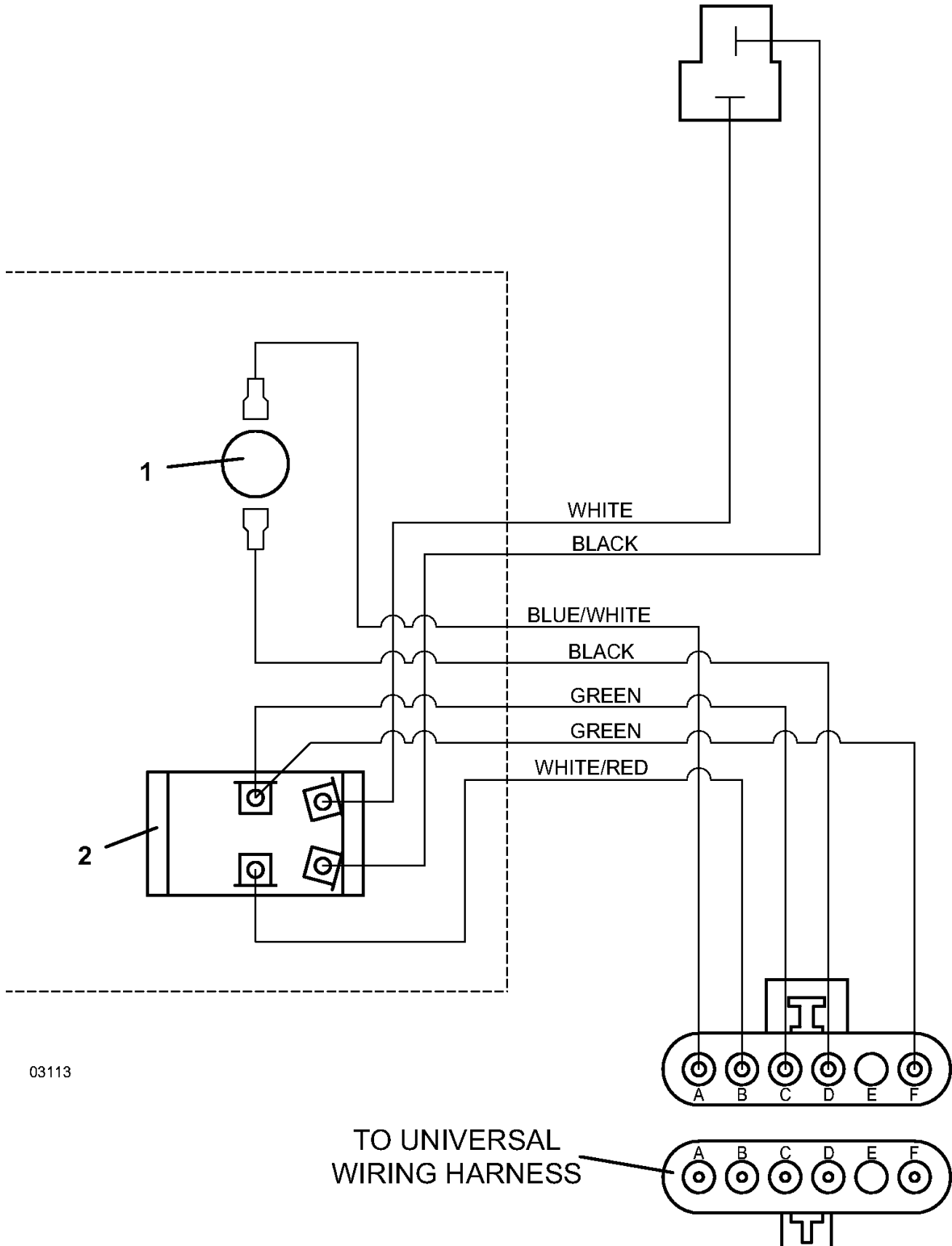
PARTS LIST

1	644169	DECK WELDMENT - 3461
2	415892	SHEAVE
3	643695	MOUNT - ANTI-SCALP ROLLER LT
4	824487	IDLER ARM - 9861 F/A
5	121756	BEARING - OILITE
6	121650	BEARING - PEDESTAL
7	883804	WASHER
8	393250	IDLER
9	243575	HEX BOLT
10	393376	IDLER
11	257062	WASHER
12	420901	TREAD - STEP
13	253067	NUT - FLANGE SPIRAL LOC
14	257040	WASHER
15	253043	NUT - WHIZ
16	283848	SPRING - EXTENSION
17	730391	J BOLT - IDLER ADJUSTMENT
18	254450	NUT
19	257041	WASHER - CUPPED
20	243365	HEX BOLT
21	243355	HEX BOLT
22	247310	CARRIAGE BOLT
23	423670	STABILIZER CAP - IDLER ARM
24	257059	WASHER
25	243590	HEX BOLT
26	484230	WHEEL - ANTI-SCALP CENTER HUB
27	942137	TUBE - BEARING
28	398528	UN HALF SHAFT
29	401010	YOKE
30	121010	CROSS & BEARING
31	402608	YOKE & SHAFT
32	390026	GEARBOX-R.ANG.875 CCW SUPERIOR
32	125391	SEAL
32	365541	PLUG - 1.5 INCH EXPANSION
33	415893	SHEAVE
34	243331	HEX BOLT
35	281833	KEY WOODRUFF
36	281828	KEY WOODRUFF
37	253192	BOLT WHIZ HEX FLANGE
38	644512	LOCK PIN - ROLLER

39	603725	ROLLER ASSY - CENTER 2 PIECE
40	424218	FLAP DECK - 3461
41	782598	STRAP - DEFLECTOR RT
42	253179	BOLT WHIZ PHIL TRUSS
43	253025	NUT - WHIZ
44	254431	NUT - SPEED
45	254448	NUT - SPEED
46	320245	BLADE - 21 HI-LIFT NOTCH
46	320242	BLADE - 21 MED LIFT
46	320244	BLADE - 21 CONTOUR
46	320246	BLADE - 21 EXTREME HI-LIFT
46	320247	BLADE - 21 HI-LOW MULCH
47	643632	MOUNT - PIVOT VAC HOUSING
48	247130	CARRIAGE BOLT
49	253035	NUT - WHIZ
50	422042	SHIELD - FLEX DISCHARGE
51	644570	MOUNT-DISCHARGE SHIELD
52	284406	SPRING - TORSION
53	780650	PIN - FLEX DISCHARGE SHIELD
54	260608	RING COTTER
55	252821	STUD - 3 PRONG HD - DECK
56	422520	NYLON BEARING
57	382090	BELT
58	604743	SHIELD ASSY - 3461 CENTER
59	281300	LATCH - RUBBER DRAW
60	722676	SHIELD - BELT 3361 RT
61	722677	SHIELD - BELT 3361 LT
62	253173	BOLT WHIZ HEX
63	282630	SPACER
64	644611	MULCH PLATE - M1 61 RT
65	644610	MULCH PLATE - M1 61 LEFT
66	644058	END CAP - MULCH 3452/61/72
67	604317	DISCHARGE SHIELD ASSY - FLEX
68	755114	SHIELD - GEARBOX 3461
69	775068	SPACER - ROLLER
70	247135	CARRIAGE BOLT
71	253193	BOLT WHIZ HEX FLANGE
72	724589	AUX FRONT SHROUD - M1/3461
73	253176	BOLT WHIZ TRUSS
74	603283	DECAL SET - 34 SERIES DECK

Title: QUIK PARTS
Heading: DECKS
Model: 3452-3461
Year: 2010
Assembly: POWERFOLD WIRING DIAGRAM

2 WAY FEMALE CONNECTOR
TO ACTUATOR MOTOR



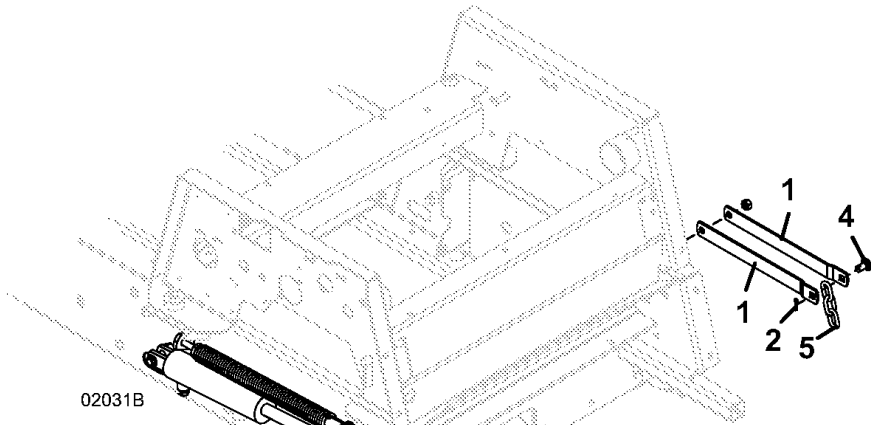
TO UNIVERSAL
WIRING HARNESS

Title: QUIK PARTS
Heading: DECKS
Model: 3452-3461
Year: 2010
Assembly: POWERFOLD WIRING DIAGRAM

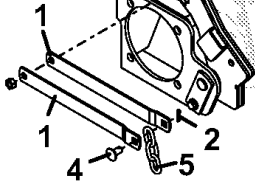
PARTS LIST

1	183867	SWITCH-SNAP MT PLUNGER SPST NC
2	184084	TOGGLE
2	425200	BOOT - TOGGLE SWITCH
2	770005	WASHER - KEYED
3	605965	WIRING ASSY DECK TILT/HGT ADJ

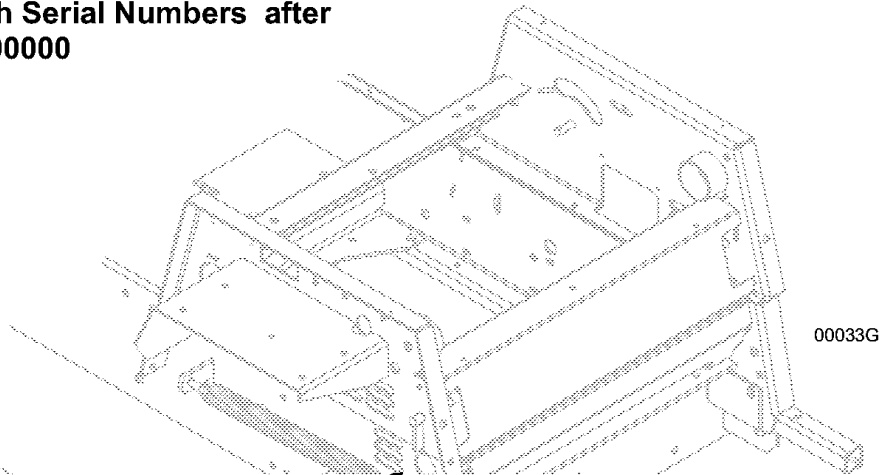
Title: QUIK PARTS
Heading: DECKS
Model: 3452-3461
Year: 2010
Assembly: TRACTION KIT ADAPTER



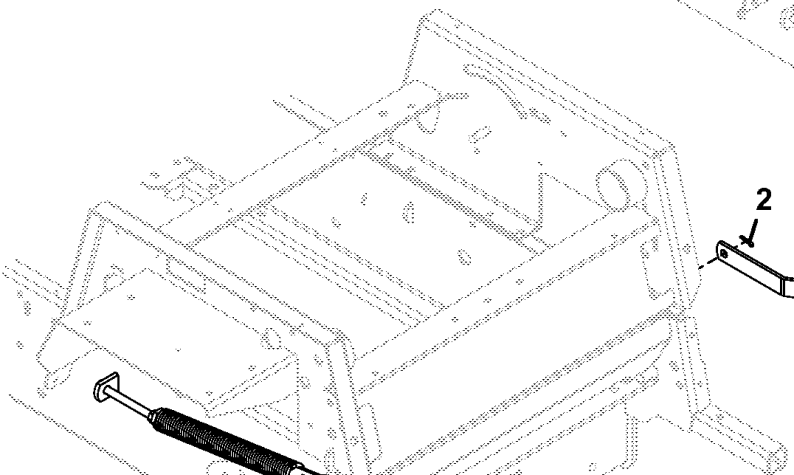
02031B



700 and 900 Series Tractors
with Serial Numbers after
5300000

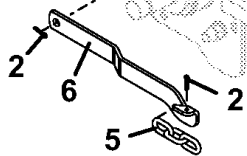


00033G



620T Tractor

07019



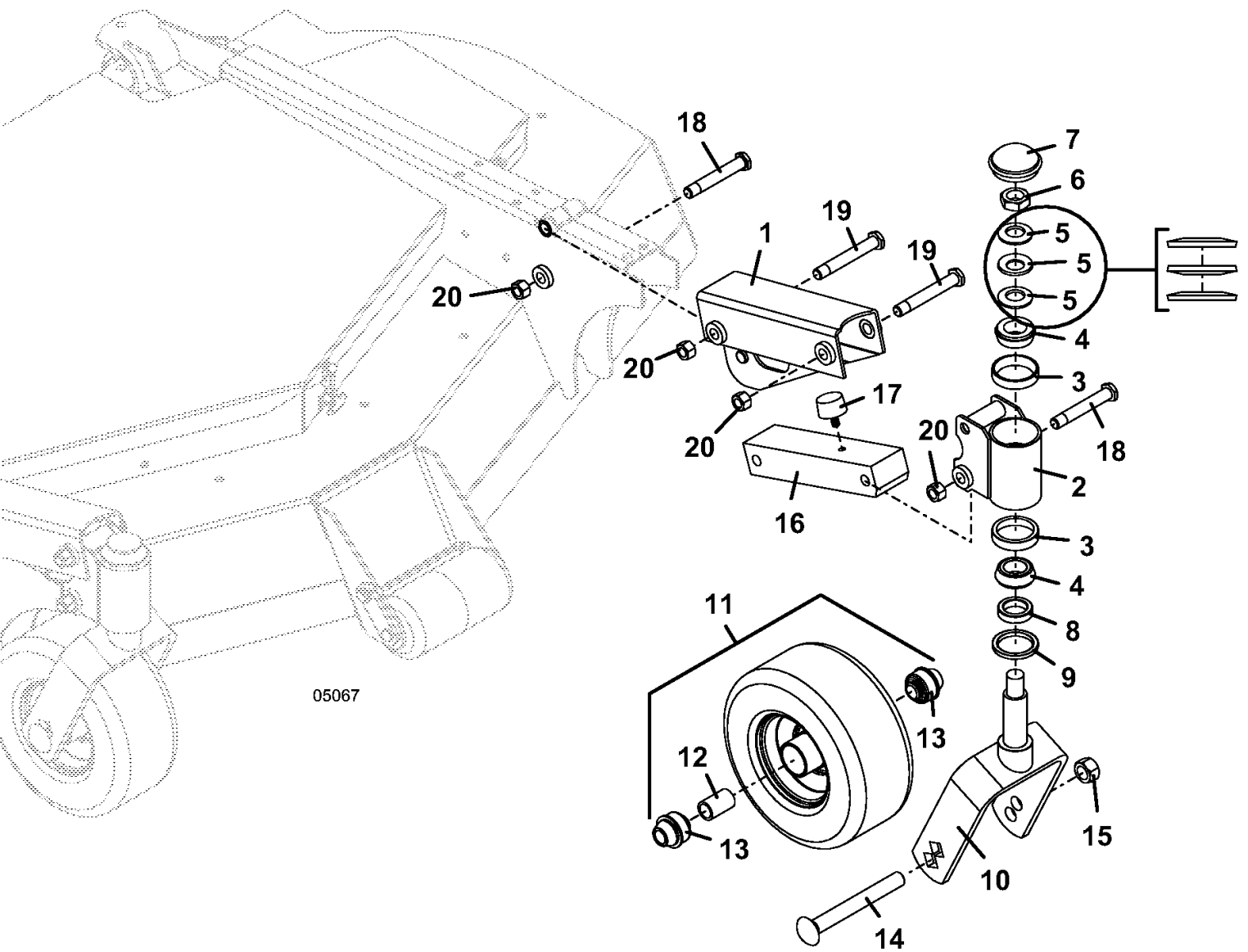
616T Tractor

Title: QUIK PARTS
Heading: DECKS
Model: 3452-3461
Year: 2010
Assembly: TRACTION KIT ADAPTER

PARTS LIST

1	732410	STRAP - LIFT 600 W/SL DECK
2	260648	COTTER PIN
3	261339	CLEVIS PIN
4	261336	CLEVIS PIN
5	820317	CHAIN - LIFT 3 LINKS
6	725492	STRAP - LIFT - 616T RT
7	725493	STRAP - LIFT - 616T LT

Title: QUIK PARTS
Heading: DECKS
Model: 3452-3461
Year: 2010
Assembly: WHEEL LIFT ASSEMBLY



05067

Title: QUIK PARTS
Heading: DECKS
Model: 3452-3461
Year: 2010
Assembly: WHEEL LIFT ASSEMBLY

PARTS LIST

1	644461	LIFT CHANNEL-33/34 SERIES RT
1	644462	LIFT CHANNEL-33/34 SERIES LT
2	824982	FORK HOUSING - DECK HD
3	123522	BEARING CUP
4	122522	BEARING - TAPER
5	257320	WASHER - SPRING
6	254505	NUT - JAM NYLON-TOPLOCK
7	481434	DUST CAP - DOMED
8	282615	SPACER
9	125855	SEAL
10	604368	FORK & LK NUT ASSY- 34/3552/61
11	603973	WHEEL ASSY DK DP BRG SEMI-PNEU
12	902428	SPACER - CENTER AXLE
13	120048	BEARING - BALL DP WHEEL
14	247715	CARRIAGE BOLT
15	253970	NUT - LOCK
16	822312	STABILIZER W/BUMPER - DECK
17	424053	RUBBER BUMPER
18	243609	HEX BOLT
19	243614	HEX BOLT
20	253930	NUT - LOCK