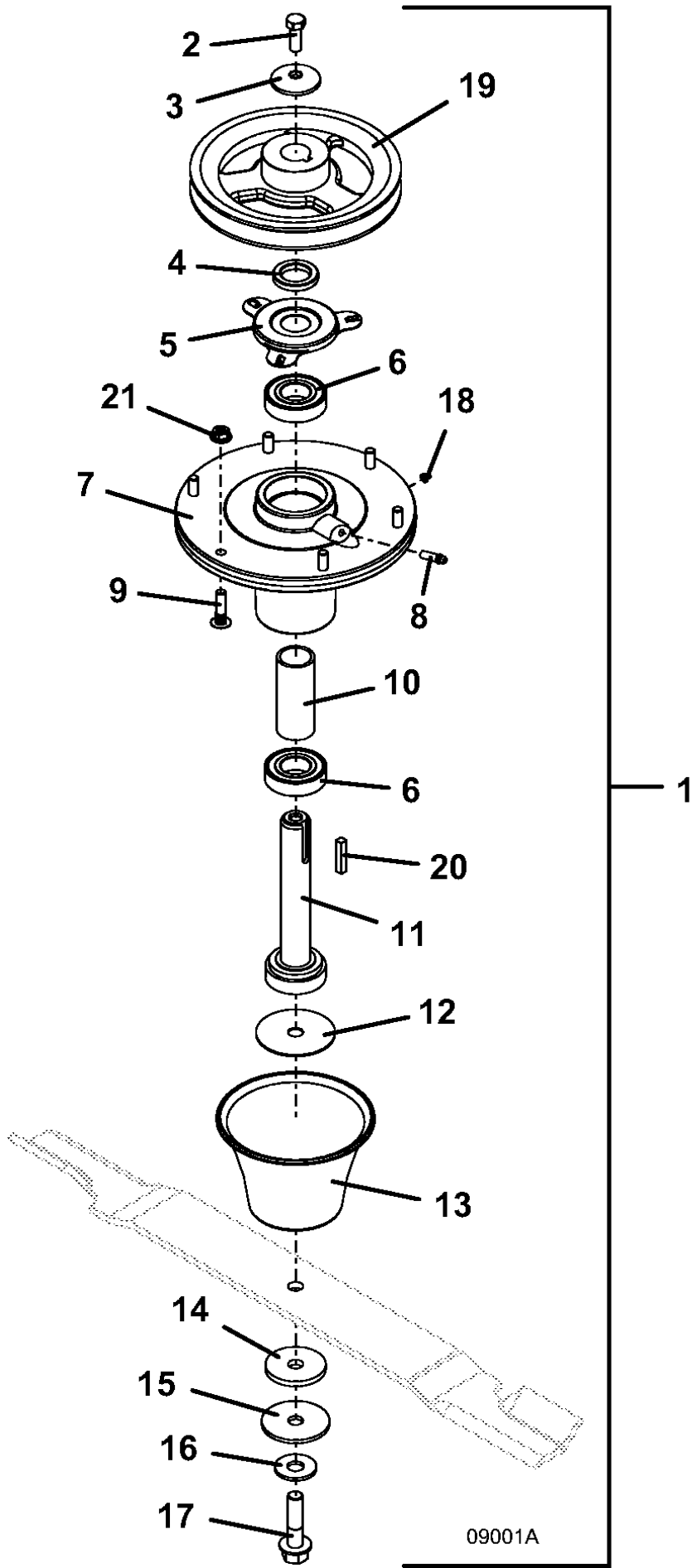


Title: QUIK PARTS  
Heading: DECKS  
Model: 3472-3472R  
Year: 2010  
Assembly: BLADE SPINDLE ASSEMBLY



Title: QUIK PARTS  
Heading: DECKS  
Model: 3472-3472R  
Year: 2010  
Assembly: BLADE SPINDLE ASSEMBLY

---

## PARTS LIST

1	623757	BLADE SPINDLE ASSY 3472
2	243331	HEX BOLT
3	257041	WASHER - CUPPED
4	282607	SPACER
5	721167	SHIELD - BEARING
6	110081	BEARING - BALL 2 REG SEAL 25MM
7	604413	HOUSING ASSY - SPINDLE ALUM
8	280745	FITTING - GREASE (ZERK)
9	247141	BOLT - ROUND HEAD RIBBED NECK
10	903643	SPACER - BEARING DEEP SPINDLE
11	604774	SPINDLE SHAFT ASSY 98S
12	772061	WASHER
13	423680	DEFLECTOR CONE
14	421200	WASHER - FIBER
15	257061	WASHER
16	257057	WASHER- HARDENED-BLADE SPINDLE
17	243583	HEX BOLT GR 8 FL
18	280705	PLUG - RELIEF
19	414745	SHEAVE
20	281583	KEY SQUARE
21	253035	NUT - WHIZ

**Title:** QUIK PARTS  
**Heading:** DECKS  
**Model:** 3472-3472R  
**Year:** 2010  
**Assembly:** LIFT ARM W/OPT ELEC POWERFOLD ACTUATOR

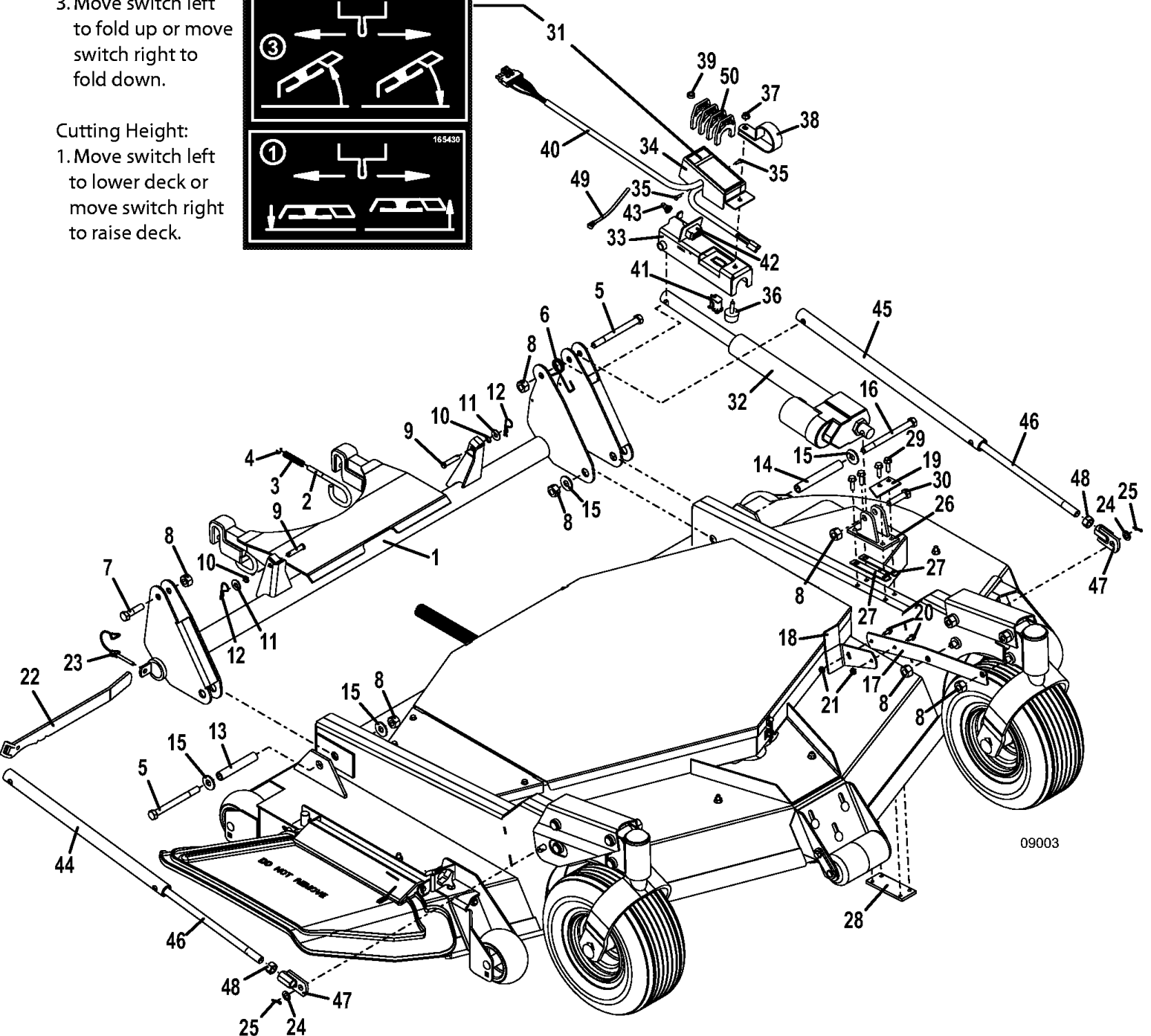
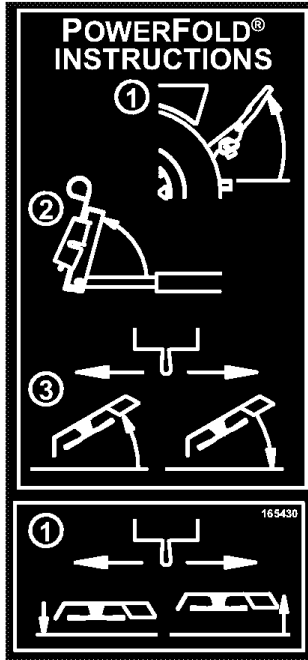
**POWERFOLD®  
Instructions**

**Fold Deck:**

1. Raise foot rest to upright locked position.
2. Rotate and hold control box in vertical position.
3. Move switch left to fold up or move switch right to fold down.

**Cutting Height:**

1. Move switch left to lower deck or move switch right to raise deck.



Title: QUIK PARTS  
Heading: DECKS  
Model: 3472-3472R  
Year: 2010  
Assembly: LIFT ARM W/OPT ELEC POWERFOLD ACTUATOR

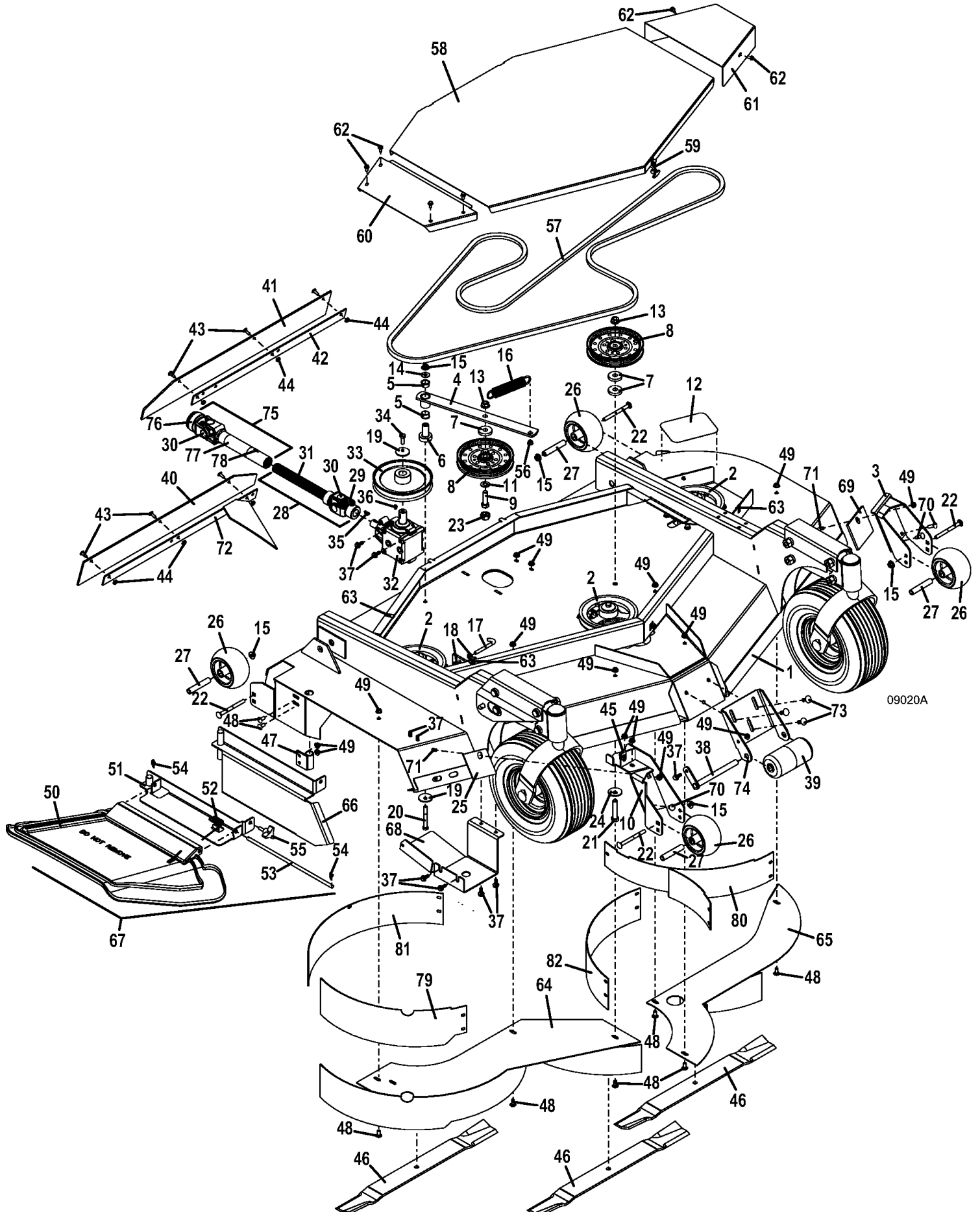
---

## PARTS LIST

1	604500	LIFT ARM ASSY - 3472
2	730433	LATCH PIN - DECK MOUNT
3	283285	SPRING - COMPRESSION
4	263490	RETAINER EXTERNAL
5	243635	HEX BOLT
6	284423	SPRING - TORSION
7	243581	HEX BOLT
8	253930	NUT - LOCK
9	261362	CLEVIS PIN
10	262950	RETAINER PUSH-ON
11	257040	WASHER
12	260523	HAIR PIN
13	902002	PIVOT TUBE RT - LIFT ARM 3472
14	902001	PIVOT TUBE LT - LIFT ARM 3472
15	257060	WASHER
16	243640	HEX BOLT
17	774672	ARM - CUT HEIGHT 3472PF
18	729498	PLATE - CUT HEIGHT 3472PF
18	162210	DECAL - CUTTING HEIGHT 3472
19	774673	POINTER - CUT HEIGHT 3472PF
20	253173	BOLT WHIZ HEX
21	253025	NUT - WHIZ
22	783068	TRACTION KIT TOOL - L48
23	261624	LINCH PIN
24	257063	WASHER
25	260650	COTTER PIN
26	644056	ACTUATOR MOUNT - 34 E/LIFT
27	900142	SPACER-E/LIFT ACTUATOR MOUNT
28	776089	THREADED PLATE - 34 ACTUATOR
29	253193	BOLT WHIZ HEX FLANGE
30	243580	HEX BOLT
31	165430	DECAL - PICTORIAL POWERFOLD
32	180035	ACTUATOR 12V
33	644805	MOUNT - ELECTRIC LIFT SWITCH
34	722005	SHIELD-SWITCH MOUNT ELEC LIFT
35	250169	MACHINE SCREW -HEX
36	424056	BUMPER - W/STUD
37	253035	NUT - WHIZ
38	732315	SPACER MOUNT-PWR FOLD HT ADJ
39	902297	SPACER - .25 THK

40	605965	WIRING ASSY DECK TILT/HGT ADJ
41	183867	SWITCH-SNAP MT PLUNGER SPST NC
42	184084	TOGGLE
43	425200	BOOT - TOGGLE SWITCH
44	645178	LIFT LINKAGE TUBE - 3472 RT
45	645179	LIFT LINKAGE TUBE - 3472 LT
46	830010	LINKAGE ROD - 3472
47	645177	BRACKET - LIFT ROD 3472
48	254490	NUT
49	423149	WIRE TIE - RELEASABLE
50	423697	SPACER - POWERFOLD HEIGHT ADJ

Title: QUIK PARTS  
Heading: DECKS  
Model: 3472-3472R  
Year: 2010  
Assembly: MOWER 3472R (REAR DISCHARGE)



Title: QUIK PARTS  
Heading: DECKS  
Model: 3472-3472R  
Year: 2010  
Assembly: MOWER 3472R (REAR DISCHARGE)

---

## PARTS LIST

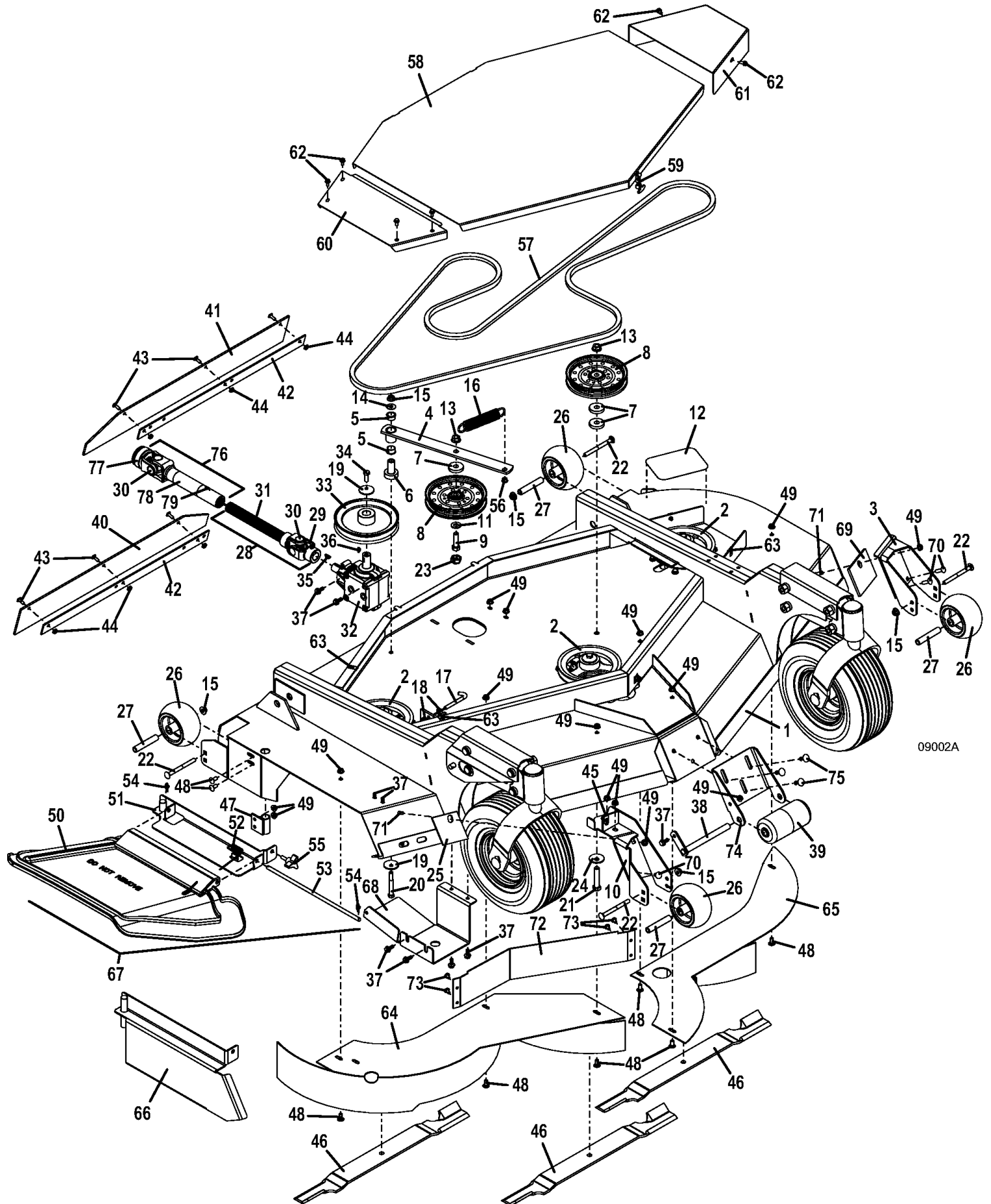
1	645173	DECK - MOWER 3472R PF
2	414745	SHEAVE
3	643695	MOUNT - ANTI-SCALP ROLLER LT
4	824580	IDLER ARM ASSEMBLY
5	121756	BEARING - OILITE
6	121650	BEARING - PEDESTAL
7	883804	WASHER
8	393250	IDLER
9	243575	HEX BOLT
10	645181	MOUNT-ANTI-SCALP ROLLER RT3472
11	257062	WASHER
12	420904	TREAD - FOOT REST EXT
13	253067	NUT - FLANGE SPIRAL LOC
14	257040	WASHER
15	253043	NUT - WHIZ
16	283848	SPRING - EXTENSION
17	730391	J BOLT - IDLER ADJUSTMENT
18	254450	NUT
19	257041	WASHER - CUPPED
20	243365	HEX BOLT
21	243355	HEX BOLT
22	247310	CARRIAGE BOLT
23	423670	STABILIZER CAP - IDLER ARM
24	257059	WASHER
25	901355	SPACER - ROLLER RT
26	484230	WHEEL - ANTI-SCALP CENTER HUB
27	942137	TUBE - BEARING
28	398527	UN HALF SHAFT ASM 11.0
29	401010	YOKE
30	121010	CROSS & BEARING
31	402611	YOKE & SHAFT #6 X 11
32	390027	GEARBOX
33	415893	SHEAVE
34	243331	HEX BOLT
35	281833	KEY WOODRUFF
36	281828	KEY WOODRUFF
37	253192	BOLT WHIZ HEX FLANGE
38	644512	LOCK PIN - ROLLER
39	603725	ROLLER ASSY - CENTER 2 PIECE
40	424213	FLAP - DECK - 9772 RIGHT

41	424214	FLAP - DECK 9772/3472 LEFT
42	774337	STRAP - DEFLECTOR
43	253179	BOLT WHIZ PHIL TRUSS
44	253025	NUT - WHIZ
45	254448	NUT - SPEED
46	320250	BLADE - 25 MED LIFT
46	320252	BLADE - 25 CONTOUR
46	320253	BLADE - 25 HI-LIFT NOTCH
46	320254	BLADE - 25 EXTREME HI-LIFT
46	320255	BLADE - 25 HI-LOW MULCH
47	643632	MOUNT - PIVOT VAC HOUSING
48	247130	CARRIAGE BOLT
49	253035	NUT - WHIZ
50	422042	SHIELD - FLEX DISCHARGE
51	644570	MOUNT-DISCHARGE SHIELD
52	284406	SPRING - TORSION
53	780650	PIN - FLEX DISCHARGE SHIELD
54	260608	RING COTTER
55	252821	STUD - 3 PRONG HD - DECK
56	422520	NYLON BEARING
57	382099	BELT
58	604739	SHIELD ASSY - 3472 CENTER
59	281300	LATCH - RUBBER DRAW
60	723502	SHIELD - BELT - 3472 RT
61	723501	SHIELD - BELT - 3472 LT
62	253173	BOLT WHIZ HEX
63	254431	NUT - SPEED
64	644612	MULCH PLATE - RIGHT
65	644613	MULCH PLATE - LEFT
66	644058	END CAP - MULCH 3452/61/72
67	604317	DISCHARGE SHIELD ASSY - FLEX
68	729931	GEARBOX COVER - 3472
69	775068	SPACER - ROLLER
70	247135	CARRIAGE BOLT
71	253193	BOLT WHIZ HEX FLANGE
72	644681	REAR DEFLECTOR
73	247253	CARRIAGE BOLT
74	755071	ROLLER MOUNT
75	398918	UN HALF SLEEVE 9.75 QD
76	401019	YOKE SPLINED QD
77	401018	YOKE W/SLEEVE #6
78	280740	FITTING - GREASE (ZERK)
79	855116	SHROUD-FILL-RT FRNT 9772R-BOLT
80	644276	SHROUD - FILL - BOLT-ON
81	855125	SHROUD - RT LOWER



<b>82</b>	<b>855126</b>	<b>SHROUD - LT LOWER</b>
<b>83</b>	<b>603284</b>	<b>DECAL SET - 3472</b>

Title: QUIK PARTS  
Heading: DECKS  
Model: 3472-3472R  
Year: 2010  
Assembly: MOWER ASSEMBLY (SIDE DISCHARGE)



Title: QUIK PARTS  
Heading: DECKS  
Model: 3472-3472R  
Year: 2010  
Assembly: MOWER ASSEMBLY (SIDE DISCHARGE)

---

## PARTS LIST

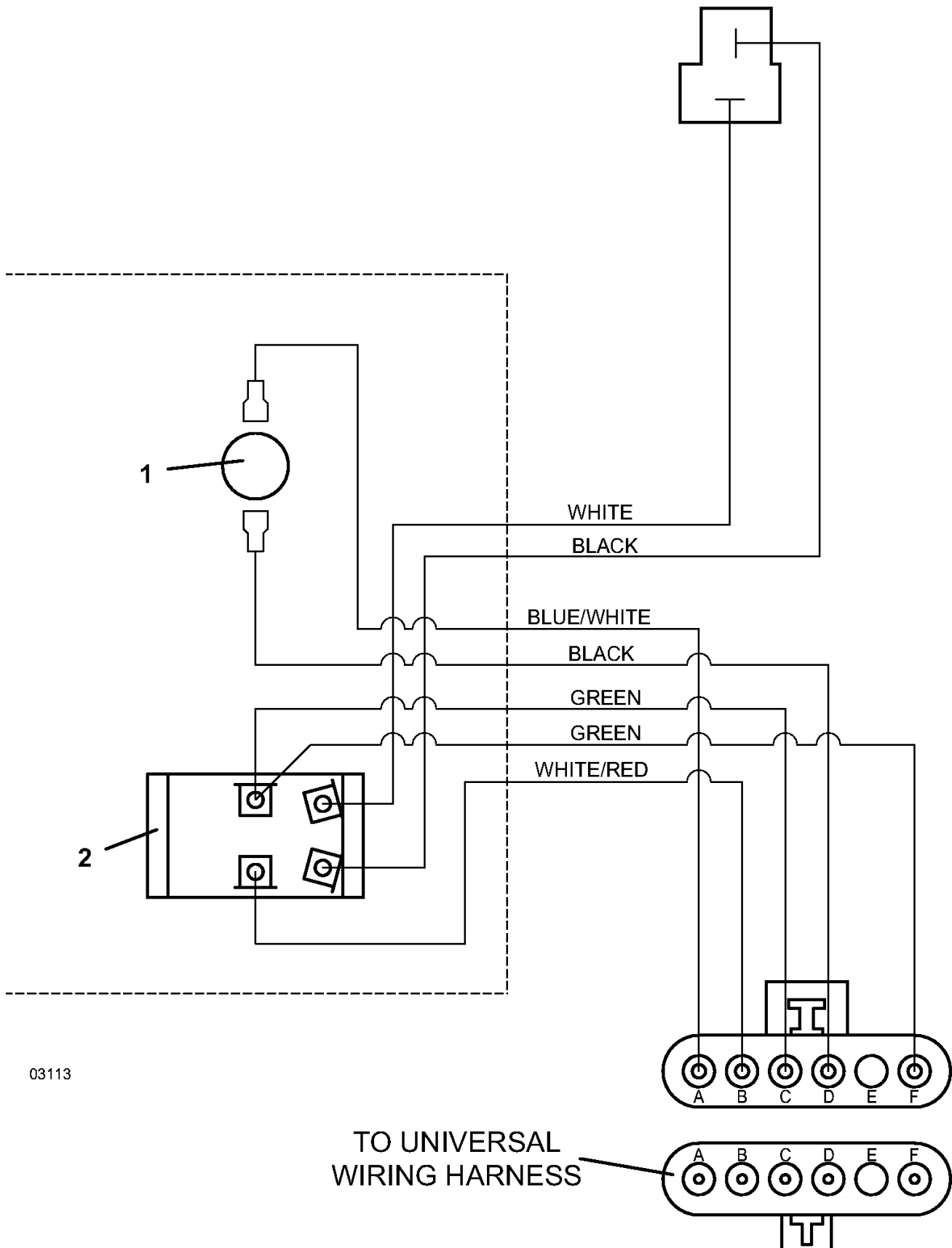
1	645167	DECK - MOWER 3472 PF
2	414745	SHEAVE
3	643695	MOUNT - ANTI-SCALP ROLLER LT
4	824580	IDLER ARM ASSEMBLY
5	121756	BEARING - OILITE
6	121650	BEARING - PEDESTAL
7	883804	WASHER
8	393250	IDLER
9	243575	HEX BOLT
10	645181	MOUNT-ANTI-SCALP ROLLER RT3472
11	257062	WASHER
12	420904	TREAD - FOOT REST EXT
13	253067	NUT - FLANGE SPIRAL LOC
14	257040	WASHER
15	253043	NUT - WHIZ
16	283848	SPRING - EXTENSION
17	730391	J BOLT - IDLER ADJUSTMENT
18	254450	NUT
19	257041	WASHER - CUPPED
20	243365	HEX BOLT
21	243355	HEX BOLT
22	247310	CARRIAGE BOLT
23	423670	STABILIZER CAP - IDLER ARM
24	257059	WASHER
25	901355	SPACER - ROLLER RT
26	484230	WHEEL - ANTI-SCALP CENTER HUB
27	942137	TUBE - BEARING
28	398527	UN HALF SHAFT ASM 11.0
29	401010	YOKE
30	121010	CROSS & BEARING
31	402611	YOKE & SHAFT #6 X 11
32	390026	GEARBOX-R.ANG.875 CCW SUPERIOR
32	390027	GEARBOX
33	415893	SHEAVE
34	243331	HEX BOLT
35	281833	KEY WOODRUFF
36	281828	KEY WOODRUFF
37	253192	BOLT WHIZ HEX FLANGE
38	644512	LOCK PIN - ROLLER
39	603725	ROLLER ASSY - CENTER 2 PIECE

40	424213	FLAP - DECK - 9772 RIGHT
41	424214	FLAP - DECK 9772/3472 LEFT
42	774337	STRAP - DEFLECTOR
43	253179	BOLT WHIZ PHIL TRUSS
44	253025	NUT - WHIZ
45	254448	NUT - SPEED
46	320253	BLADE - 25 HI-LIFT NOTCH
46	320250	BLADE - 25 MED LIFT
46	320252	BLADE - 25 CONTOUR
46	320254	BLADE - 25 EXTREME HI-LIFT
46	320255	BLADE - 25 HI-LOW MULCH
47	643632	MOUNT - PIVOT VAC HOUSING
48	247130	CARRIAGE BOLT
49	253035	NUT - WHIZ
50	422042	SHIELD - FLEX DISCHARGE
51	644570	MOUNT-DISCHARGE SHIELD
52	284406	SPRING - TORSION
53	780650	PIN - FLEX DISCHARGE SHIELD
54	260608	RING COTTER
55	252821	STUD - 3 PRONG HD - DECK
56	422520	NYLON BEARING
57	382099	BELT
58	604739	SHIELD ASSY - 3472 CENTER
59	281300	LATCH - RUBBER DRAW
60	723502	SHIELD - BELT - 3472 RT
61	723501	SHIELD - BELT - 3472 LT
62	253173	BOLT WHIZ HEX
63	254431	NUT - SPEED
64	644612	MULCH PLATE - RIGHT
65	644613	MULCH PLATE - LEFT
66	644058	END CAP - MULCH 3452/61/72
67	604317	DISCHARGE SHIELD ASSY - FLEX
68	729931	GEARBOX COVER - 3472
69	775068	SPACER - ROLLER
70	247135	CARRIAGE BOLT
71	253193	BOLT WHIZ HEX FLANGE
72	724590	AUX FRONT SHROUD - 72 DECK
73	253176	BOLT WHIZ TRUSS
74	755071	ROLLER MOUNT
75	247253	CARRIAGE BOLT
76	398918	UN HALF SLEEVE 9.75 QD
77	401019	YOKE SPLINED QD
78	401018	YOKE W/SLEEVE #6
79	280740	FITTING - GREASE (ZERK)
80	603284	DECAL SET - 3472



Title: QUIK PARTS  
Heading: DECKS  
Model: 3472-3472R  
Year: 2010  
Assembly: POWERFOLD WIRING DIAGRAM

2 WAY FEMALE CONNECTOR  
TO ACTUATOR MOTOR



TO UNIVERSAL  
WIRING HARNESS

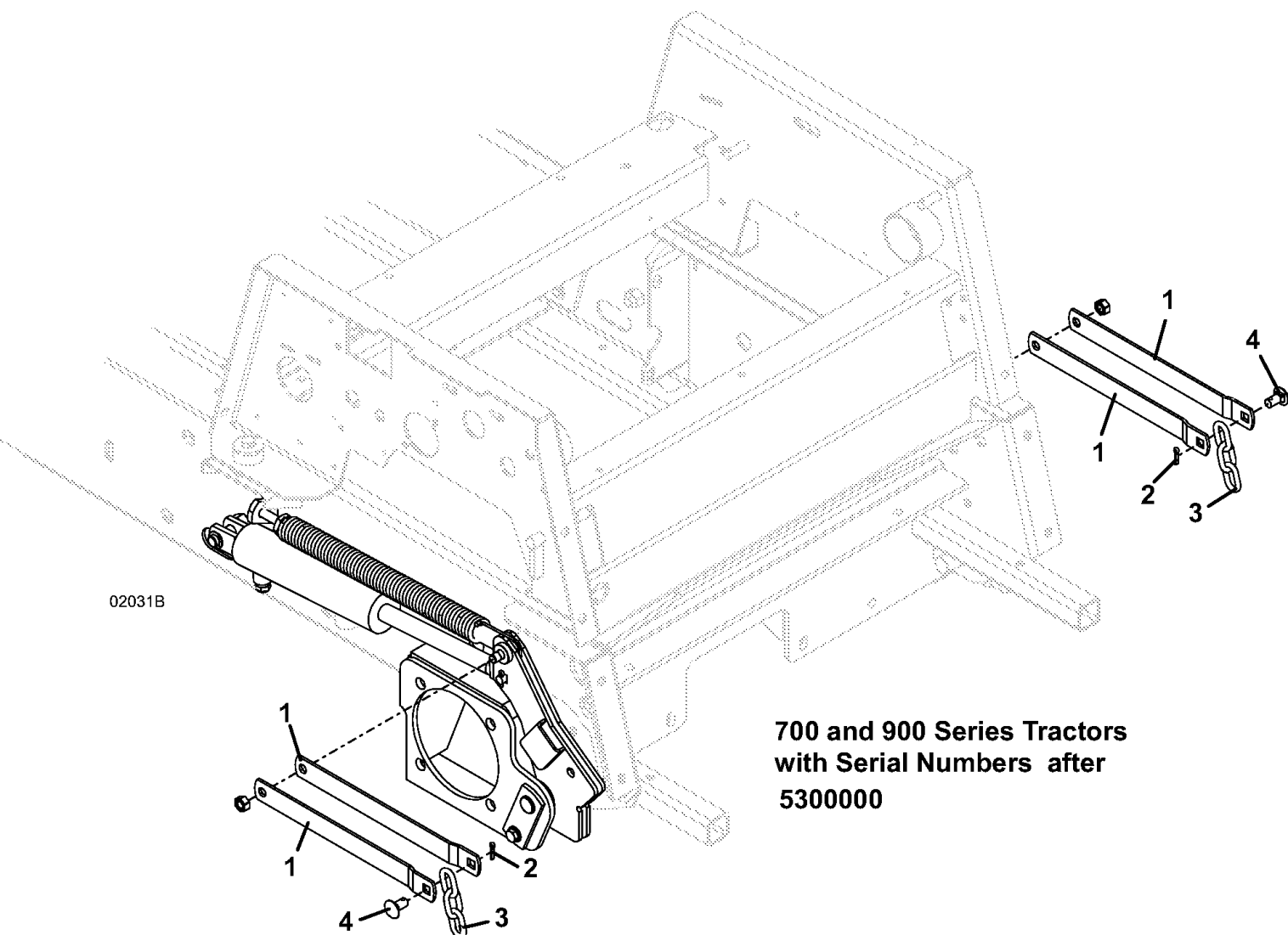
**Title:       QUIK PARTS**  
**Heading:   DECKS**  
**Model:     3472-3472R**  
**Year:      2010**  
**Assembly:  POWERFOLD WIRING DIAGRAM**

---

# **PARTS LIST**

<b>1</b>	<b>183867</b>	<b>SWITCH-SNAP MT PLUNGER SPST NC</b>
<b>2</b>	<b>184084</b>	<b>TOGGLE</b>
<b>2</b>	<b>425200</b>	<b>BOOT - TOGGLE SWITCH</b>
<b>2</b>	<b>770005</b>	<b>WASHER - KEYED</b>
<b>3</b>	<b>605965</b>	<b>WIRING ASSY DECK TILT/HGT ADJ</b>

Title: QUIK PARTS  
Heading: DECKS  
Model: 3472-3472R  
Year: 2010  
Assembly: TRACTION KIT ADAPTER





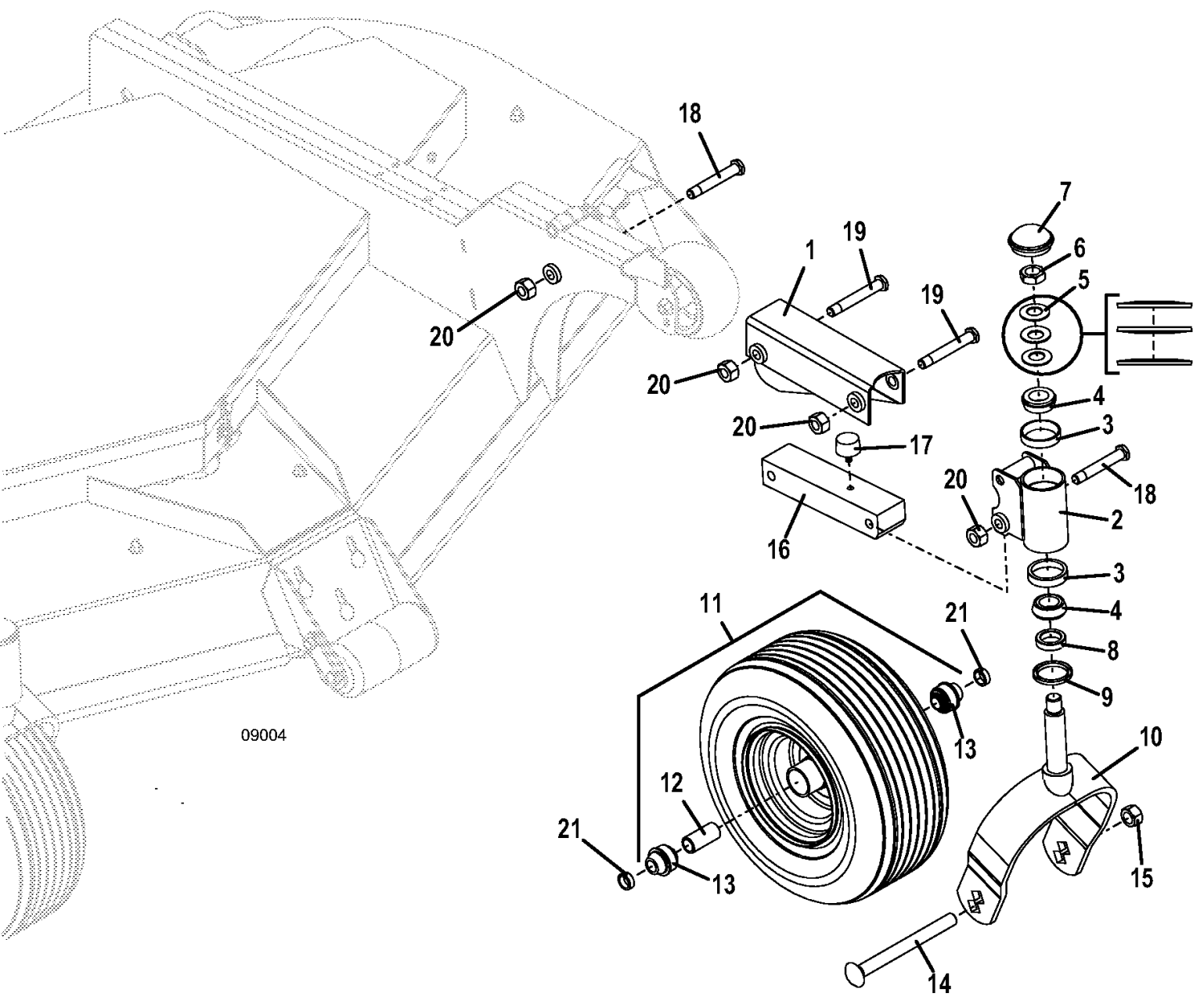
**Title: QUIK PARTS**  
**Heading: DECKS**  
**Model: 3472-3472R**  
**Year: 2010**  
**Assembly: TRACTION KIT ADAPTER**

---

# **PARTS LIST**

<b>1</b>	<b>732410</b>	<b>STRAP - LIFT 600 W/SL DECK</b>
<b>2</b>	<b>260648</b>	<b>COTTER PIN</b>
<b>3</b>	<b>820317</b>	<b>CHAIN - LIFT 3 LINKS</b>
<b>4</b>	<b>261336</b>	<b>CLEVIS PIN</b>

Title: QUIK PARTS  
Heading: DECKS  
Model: 3472-3472R  
Year: 2010  
Assembly: WHEEL LIFT ASSEMBLY



Title: QUIK PARTS  
Heading: DECKS  
Model: 3472-3472R  
Year: 2010  
Assembly: WHEEL LIFT ASSEMBLY

---

## PARTS LIST

1	644461	LIFT CHANNEL-33/34 SERIES RT
1	644462	LIFT CHANNEL-33/34 SERIES LT
2	824983	FORK HOUSING - DECK 3472
3	123522	BEARING CUP
4	122522	BEARING - TAPER
5	257320	WASHER - SPRING
6	254505	NUT - JAM NYLON-TOPLOCK
7	481434	DUST CAP - DOMED
8	282615	SPACER
9	125855	SEAL
10	604369	FORK & LOCK NUT ASSY - 3472
11	603976	WHEEL W/BRGS - SEMI-PNEU
12	902429	SPACER - AXLE CENTER REAR
13	120048	BEARING - BALL DP WHEEL
14	247725	CARRIAGE BOLT
15	253970	NUT - LOCK
16	822312	STABILIZER W/BUMPER - DECK
17	424053	RUBBER BUMPER
18	243609	HEX BOLT
19	243614	HEX BOLT
20	253930	NUT - LOCK
21	902422	SPACER - AXLE